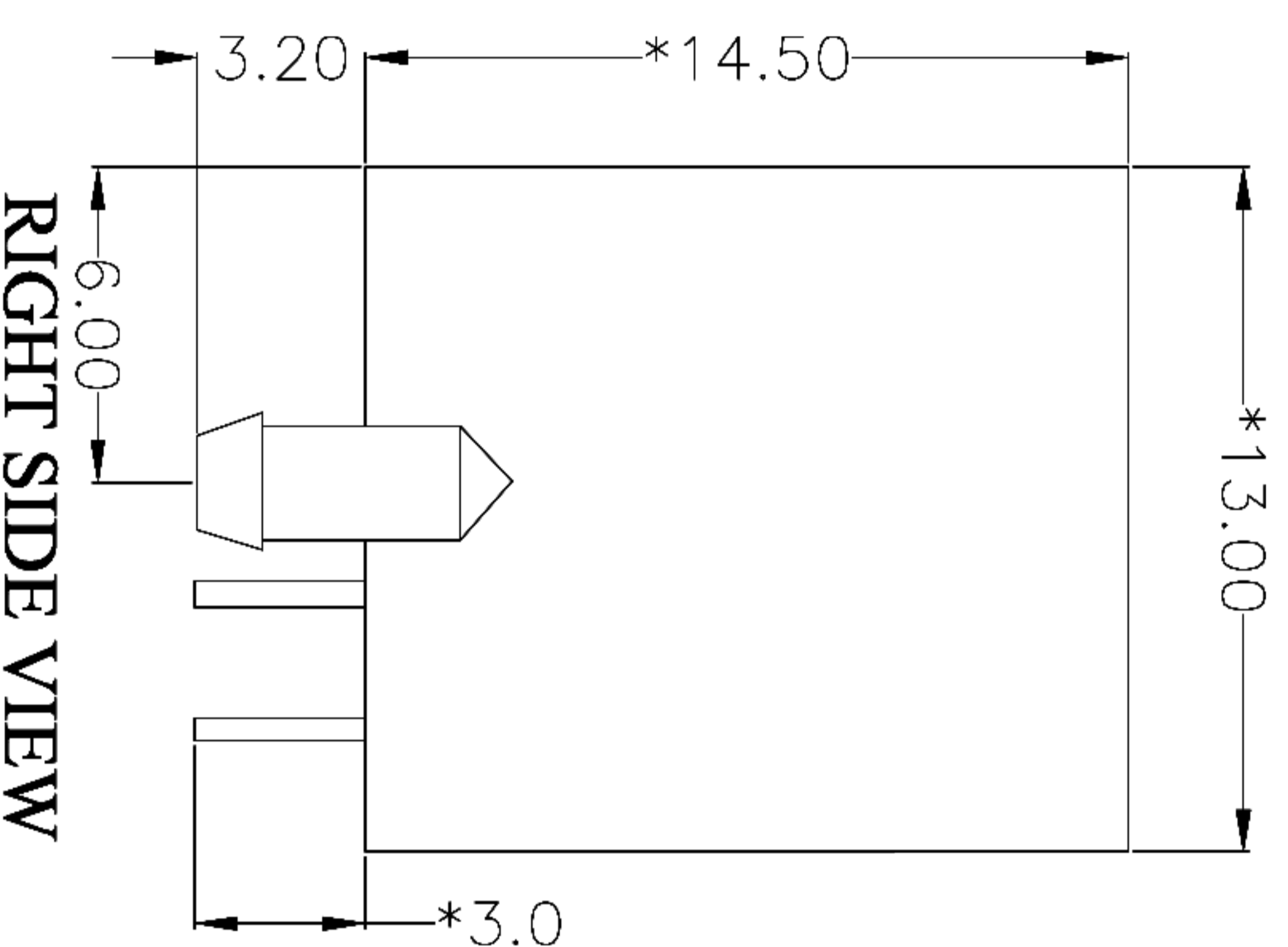
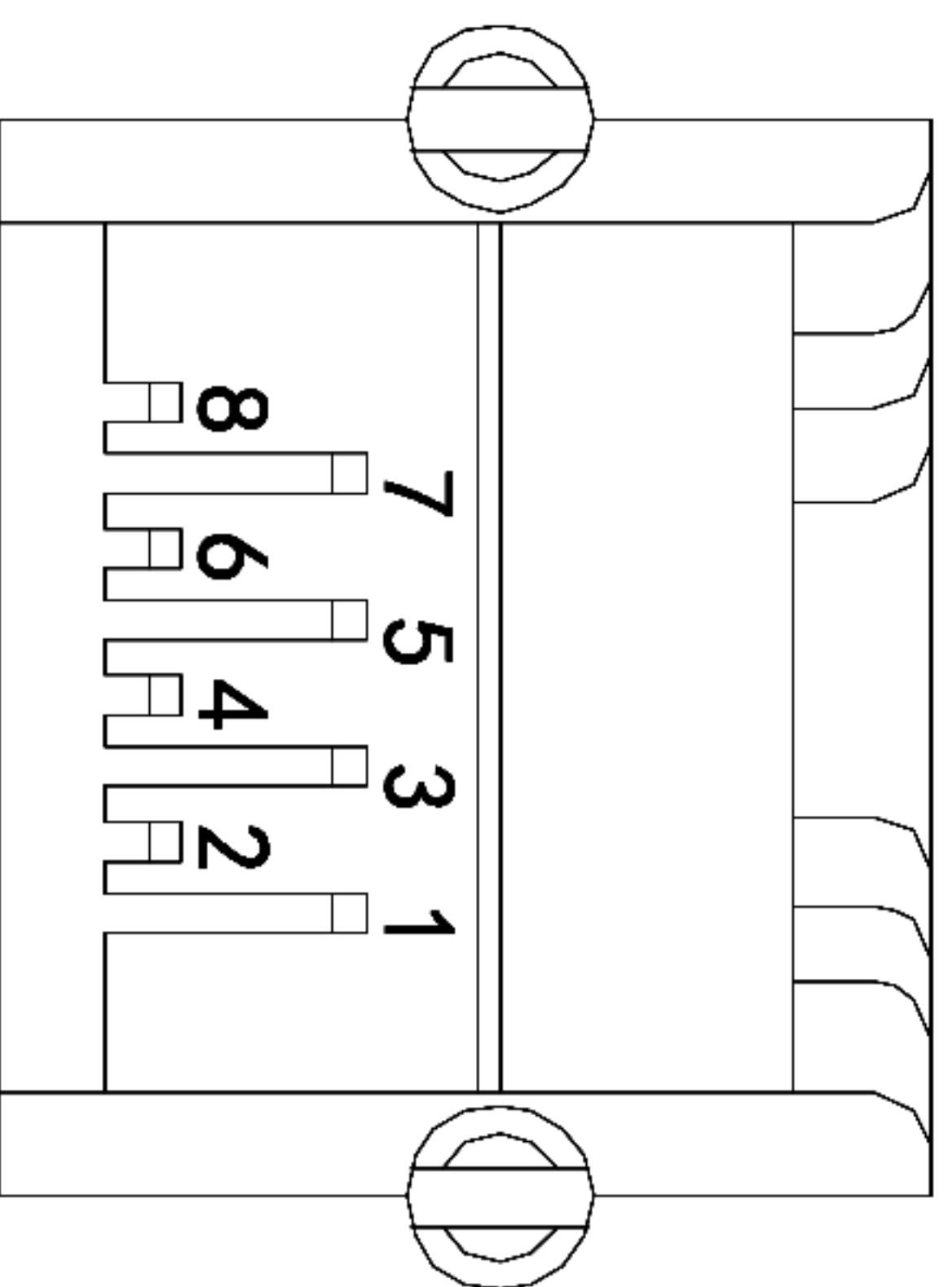


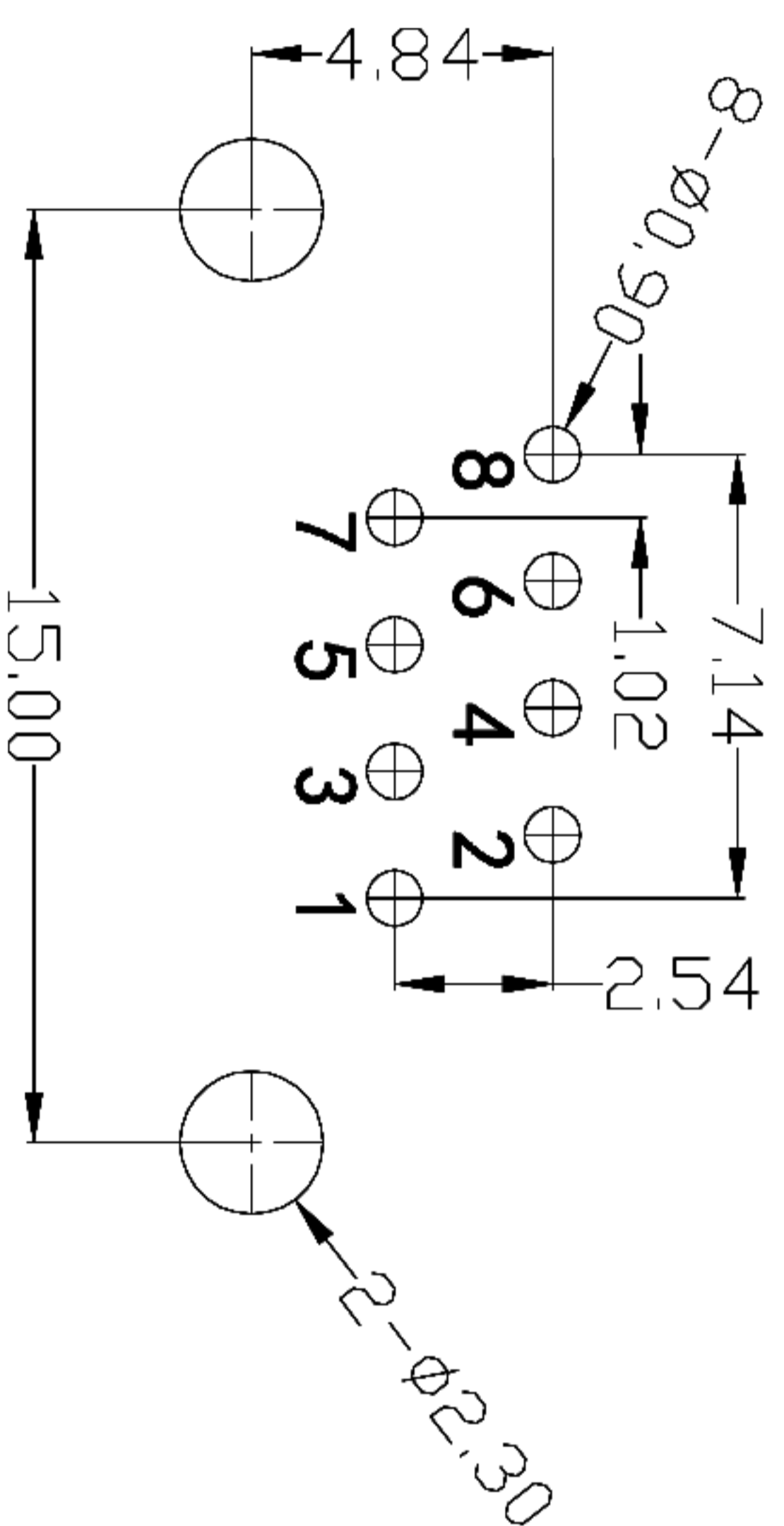
FRONT VIEW



RIGHT SIDE VIEW



BOTTOM VIEW



**RECOMMENDED PCB LAYOUT
VIEWED FROM COMPONENT SIDE**

MATERIAL:

HOUSING: PBT, UL94V-0, GRAY.
TERMINAL: PHOSPHOR BRONZE Ø=0.46MM, G/FU" GOLD PLATING.

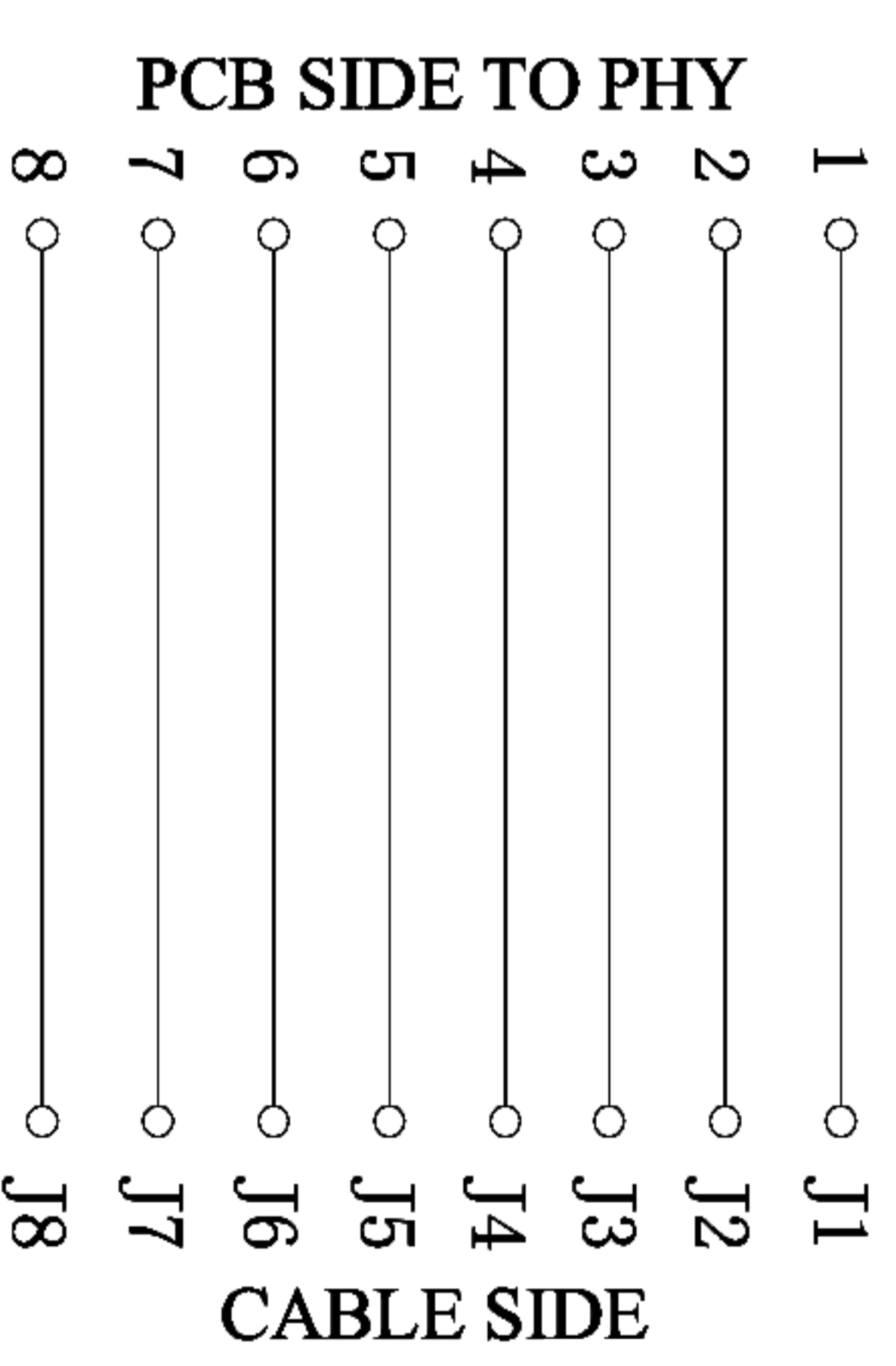
MACHANICAL:

DURABILITY: 750 CYCLES MIN, 12.5MM/MINUTE.
INSERTION FORCE: 2.2KG.F MAX.
RETENTION STRENGTH : 7.7KG.F BETWEEN JACK AND PLUG.
OPERATING TEMPERATURE: -40°C~+85°C.
STORAGE TEMPERATURE: -40°C~+85°C.
ALL CRITICAL DIMENSIONS WITH "*"

ELECTRICAL:

VOLTAGE: 125 VOLTS AC.
CURRENT RATING : 1.5AMP.
DIELECTRIC STRENGTH: 1000 VAC RMS 50HZ OR 60HZ, 1 MIN.
INSULATION RESISTANCE: 500 MEGA OHMS MIN. INITIAL
AFTER 500V DC FOR 1 MINUTE.

CONTACT RESISTANCE: SINGLE TERMINAL 30 MILLIOHMS MAX.
INITIAL 50 MILLIOHMS MAX. AFTER
DURABILITY TEST.



ECN NO.	REV.	DATE.	DESCRIPTION.
	A		NEW
			CHANGE.

APPROVALS		DATE	TITLE:	
DRAWN	ZHIWEI.CHEN	2015.07.07	PART NO.	RJ45 8P8C 无灯全塑
CHECKED			SCALE:	1:1
APPROVALS			PROJ:	DDN-BB-88-B1
TOLERANCES ARE		ANGLE	UNIT:	mm
30~øL	±0.30	±2°	SCALE:	1:1
10~30	±0.20		DRAWING NO.	
5~10	±0.15		SHEET	1 OF 1
~ 5	±0.10			



深圳市联丰电子有限公司
SHENZHEN LINFENGYING ELECTRONIC CO.,LTD