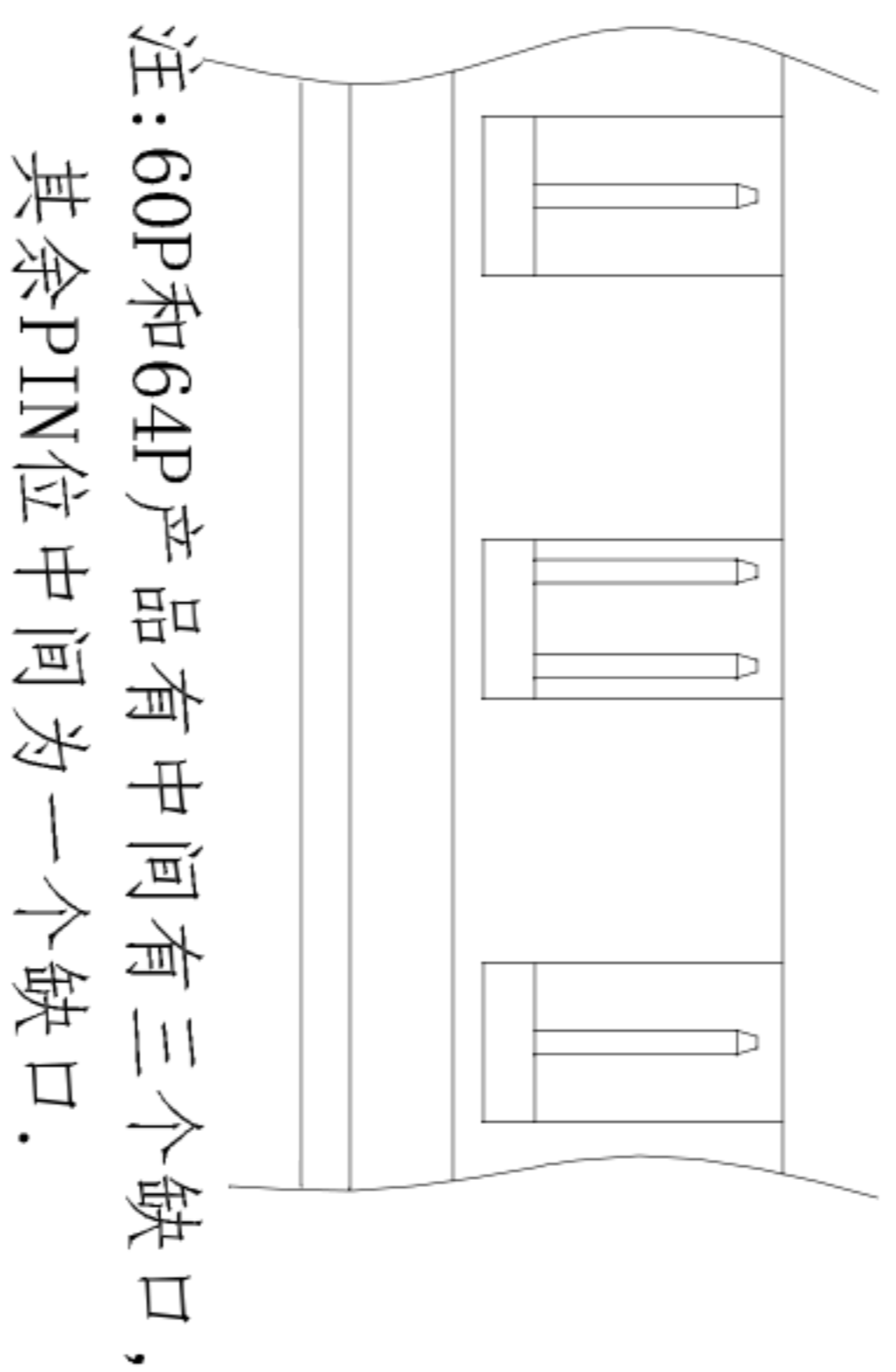


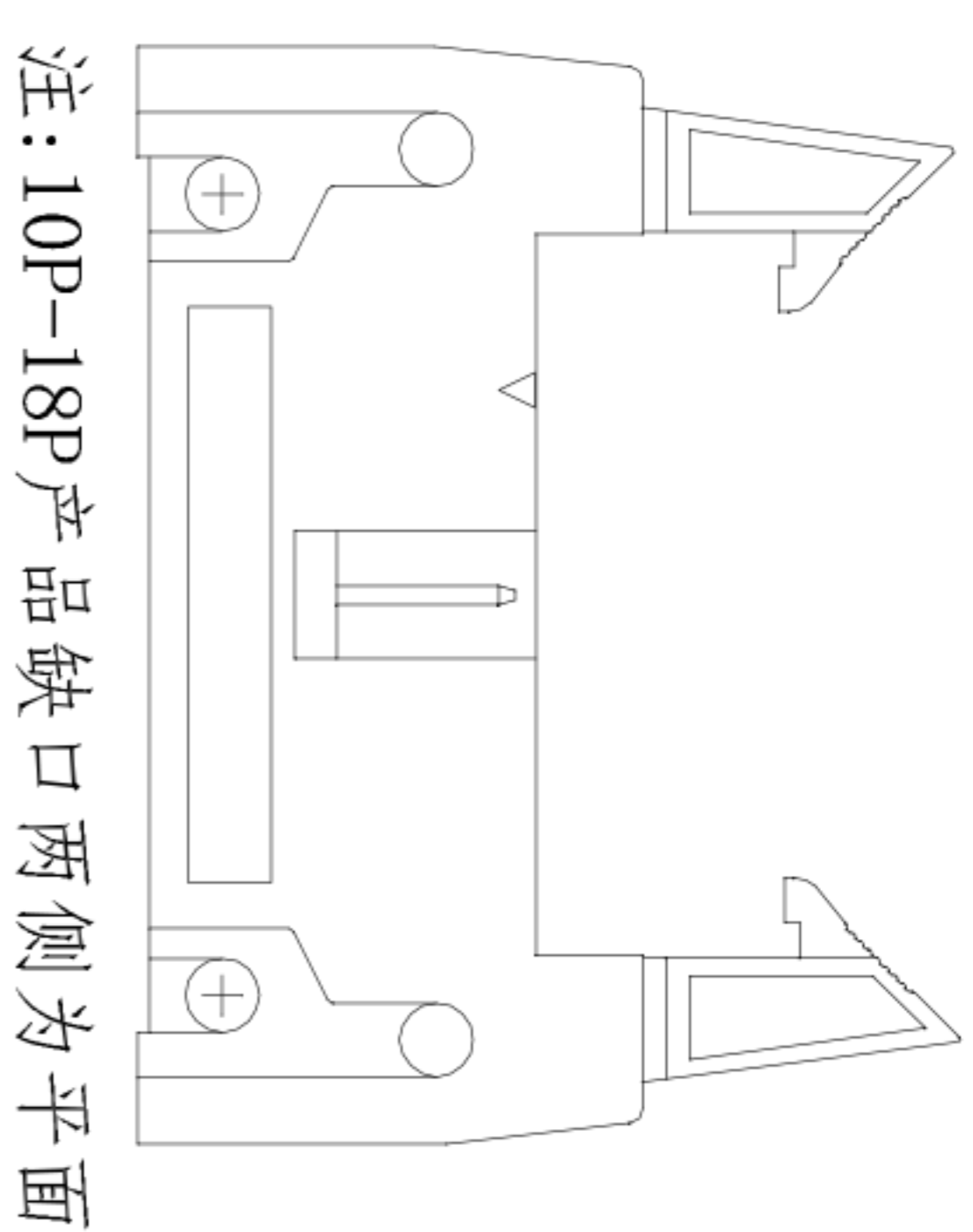
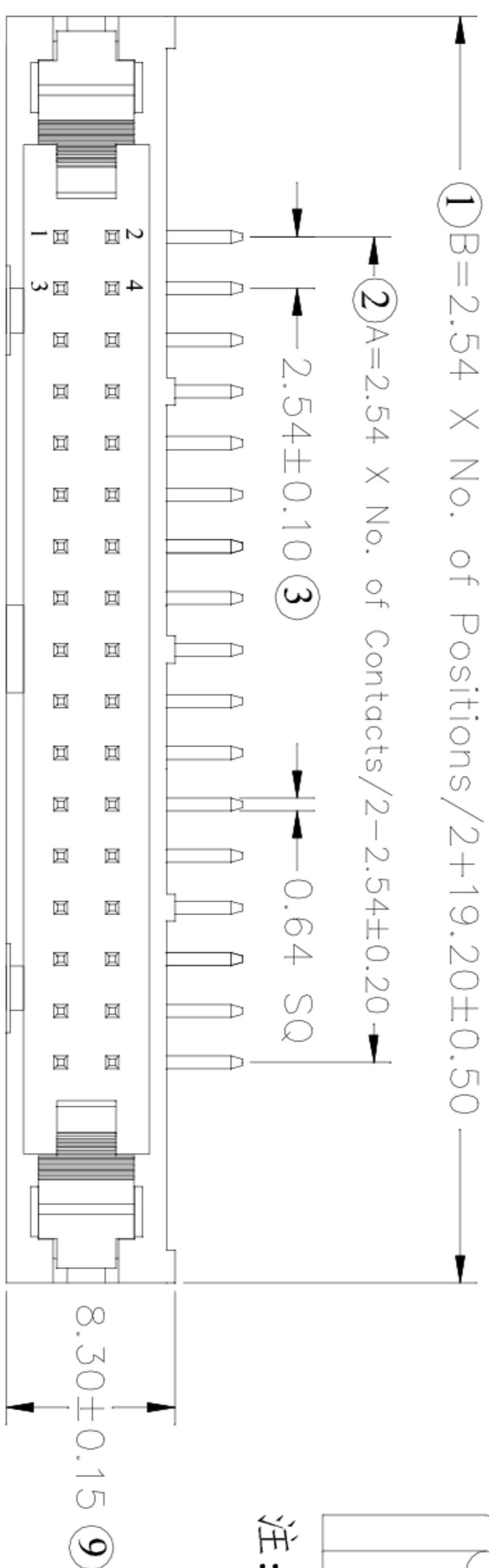
2.54*2.54mm (0.100" * 0.100") EJECTOR HEADER, RIGHT ANGLE

SPECIFICATIONS 规格

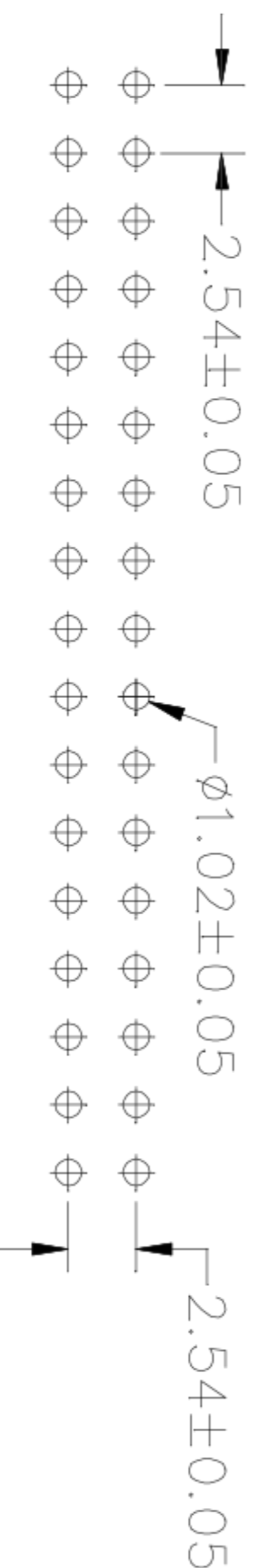
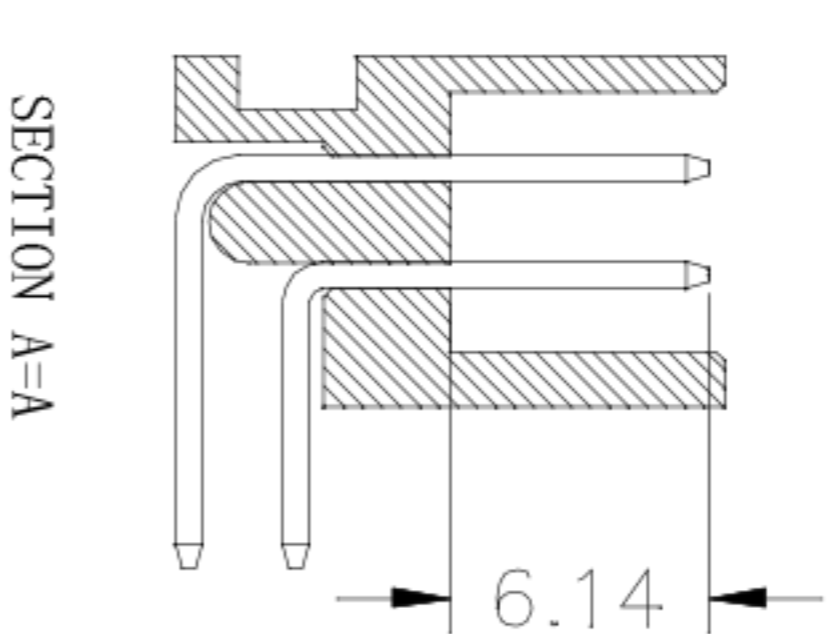
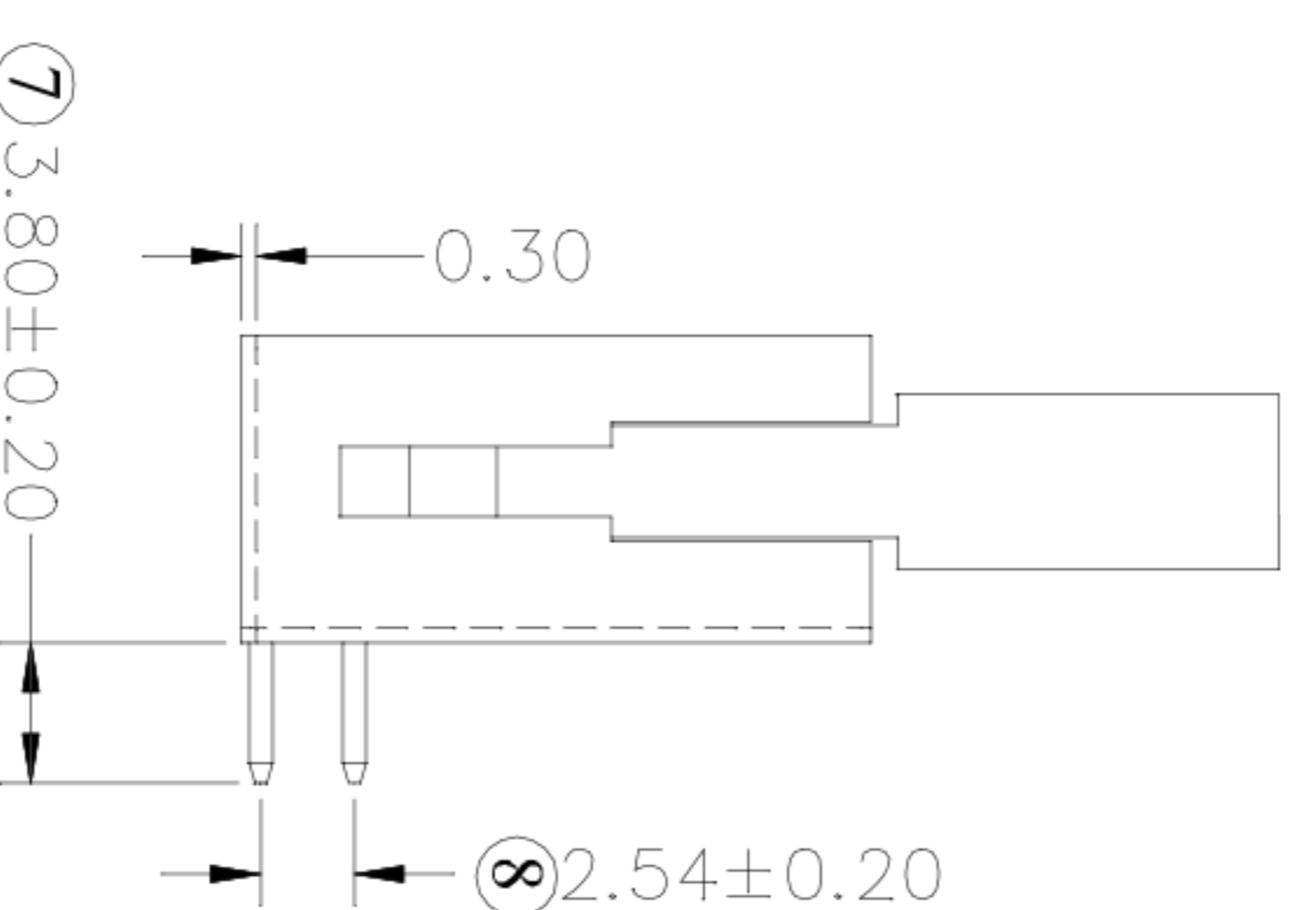
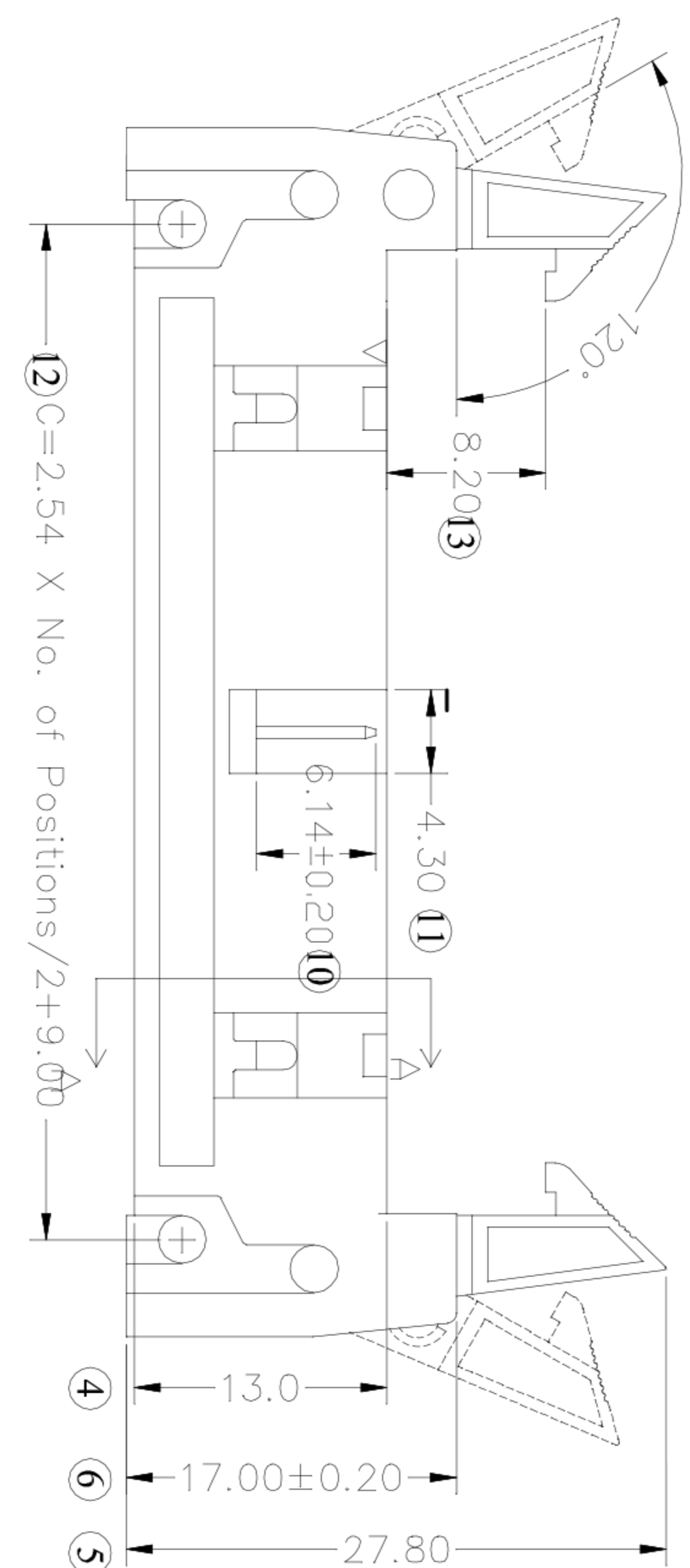
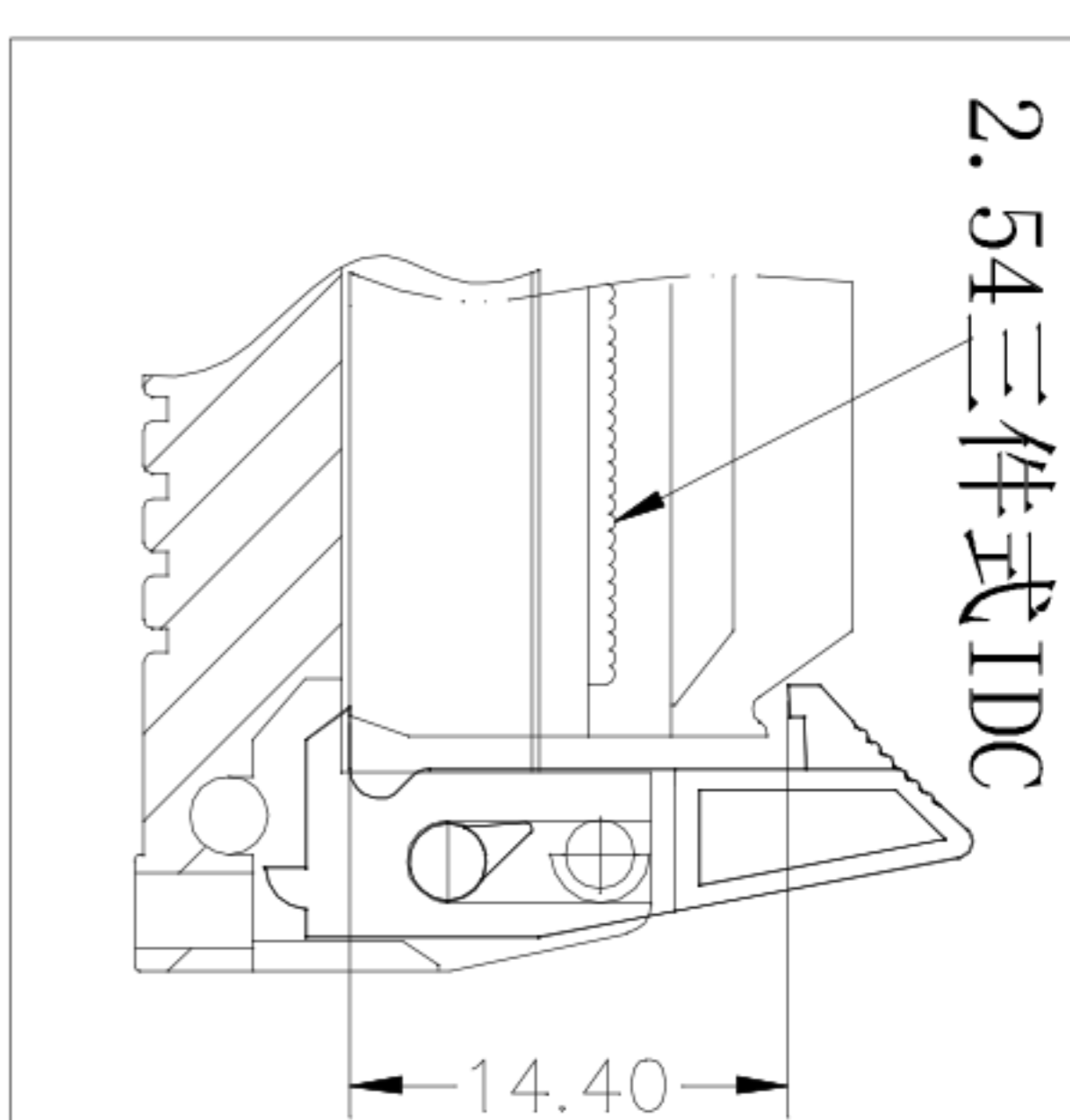
CURRENT RATING 电流额定值 : 3AMP
 CONTACT RESISTANCE 接触电阻值 : 20mΩ Max
 INSULATION RESISTANCE 绝缘电阻值 : 1000MΩ Min
 DIELECTRIC WITHSTAND 耐压值 : 500V AC/minute
 OPERATION TEMPERATURE 工作温度 : -40°C to +105°C
 CONTACT MATERIAL 端子材质 : BRASS
 HOUSING MATERIAL 塑胶材质 :
 STANDARD 标准物料 : PBT + 30%G.F. ; UL 94V-0
 OPTIONS 可选物料 : PA6T + 30%G.F. ; UL 94V-0
 PLATING 电镀 : Au or Sn Over 30u" Ni



注: 60P和64P产品有中间有三个缺口, 其余PIN位中间为一个缺口.



注: 10P-18P产品缺口两侧为平面



Recommended PCB Layout

针长 0.64*16/21

No. of PINS	Dimension Information		
	A	B	C
06	5.08	26.82	16.62
08	7.62	29.36	19.16
10	10.16	31.90	21.70
14	15.24	36.98	26.78
16	17.78	39.52	29.32
18	20.32	42.06	31.86
20	22.86	44.60	34.40
24	27.94	49.68	39.48
26	30.48	52.22	42.02
30	35.56	57.30	47.10
34	40.64	62.38	52.18
40	48.26	70.00	59.80
50	60.96	82.70	72.50
60	73.66	95.40	85.20
64	78.74	100.48	90.28

APPROVALS		DATE	TITLE: 2.54mm Crimp Style Connector		
DRAWN	ZHIWEI.CHEN	2015.07.07	PART NO.	GP24-2523WR-2XNP	SCALE: 1:1
CHECKED			UNIT: mm		PROJ.
APPROVALS			DRAWING NO.		SHEET 1 OF 1
TOLERANCES ARE		30~以上 ±0.30	ANGLE	±2°	
		10~30 ±0.20			
		5~10 ±0.15			
		~5 ±0.10			
ECN NO.	REV.	DATE.	DESCRIPTION.	NEW	CHANGE.
	A				CHECK.
					APPRO.