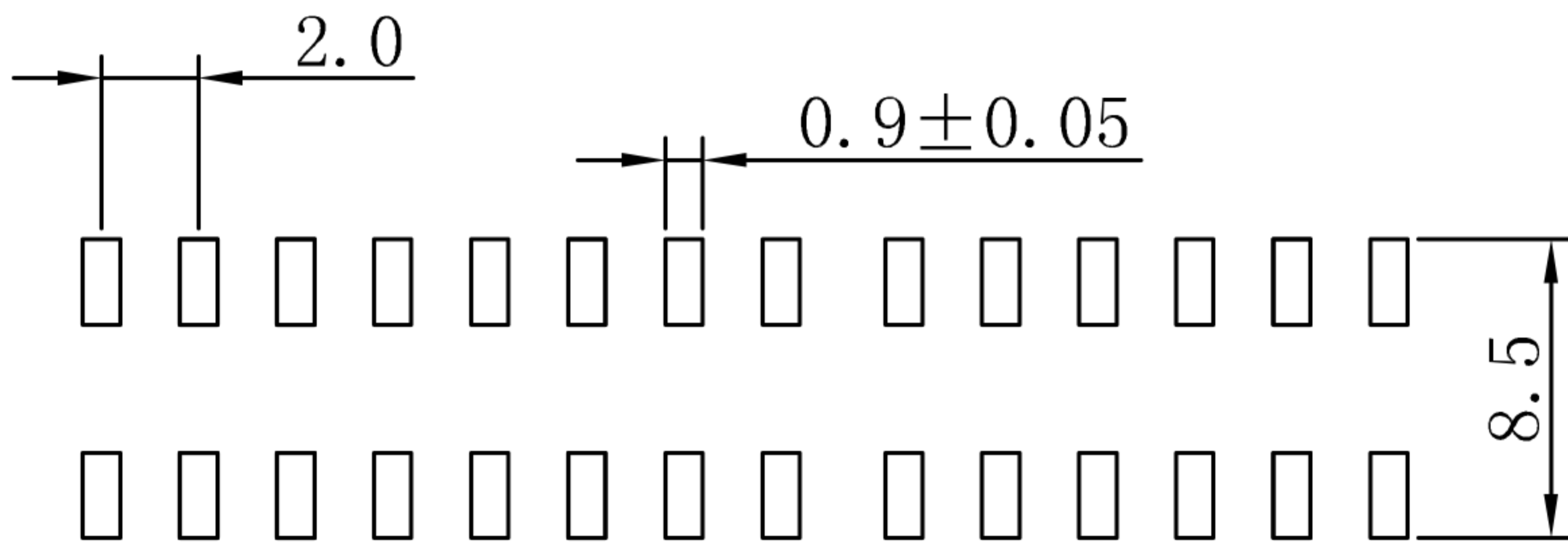
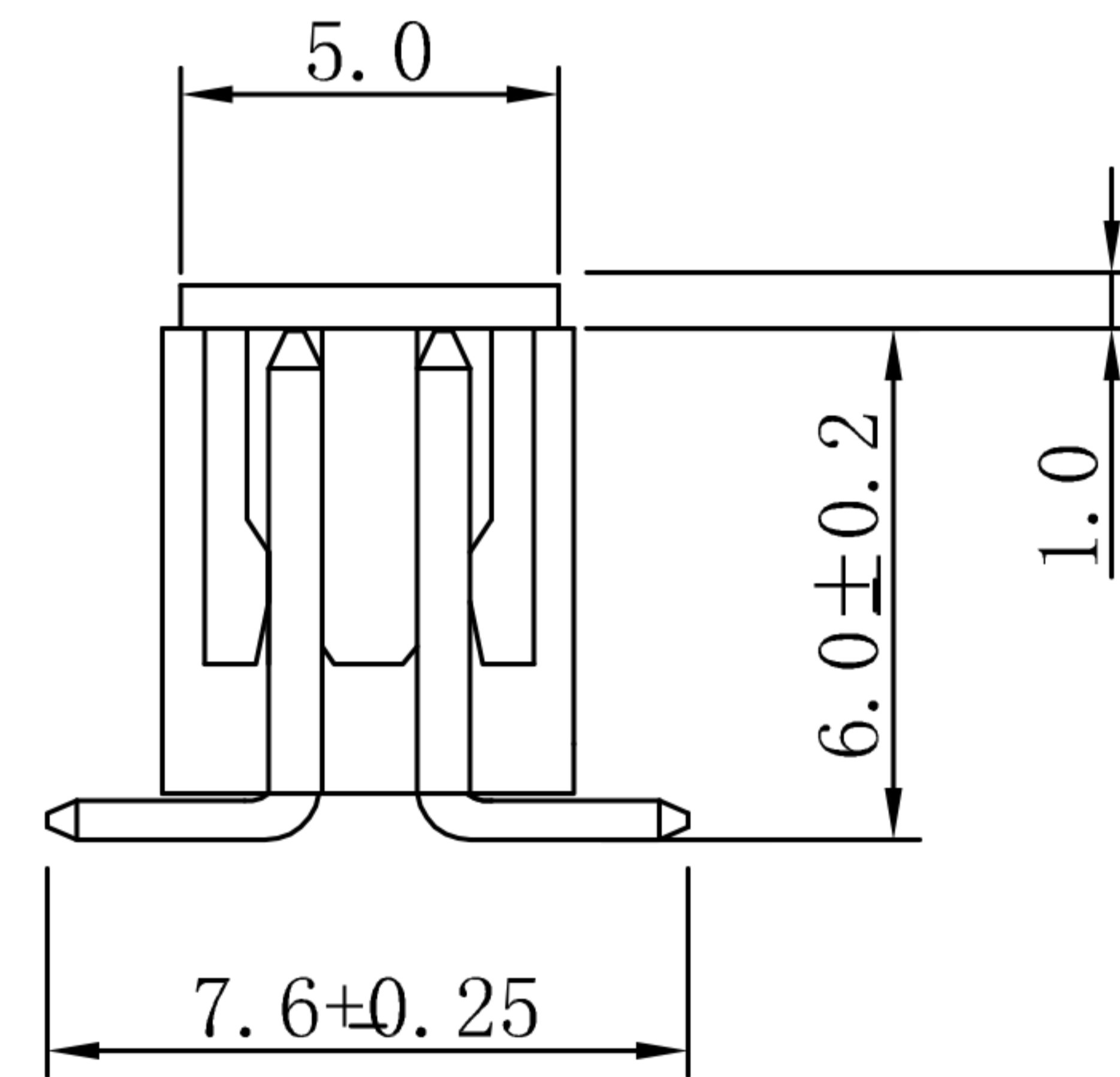
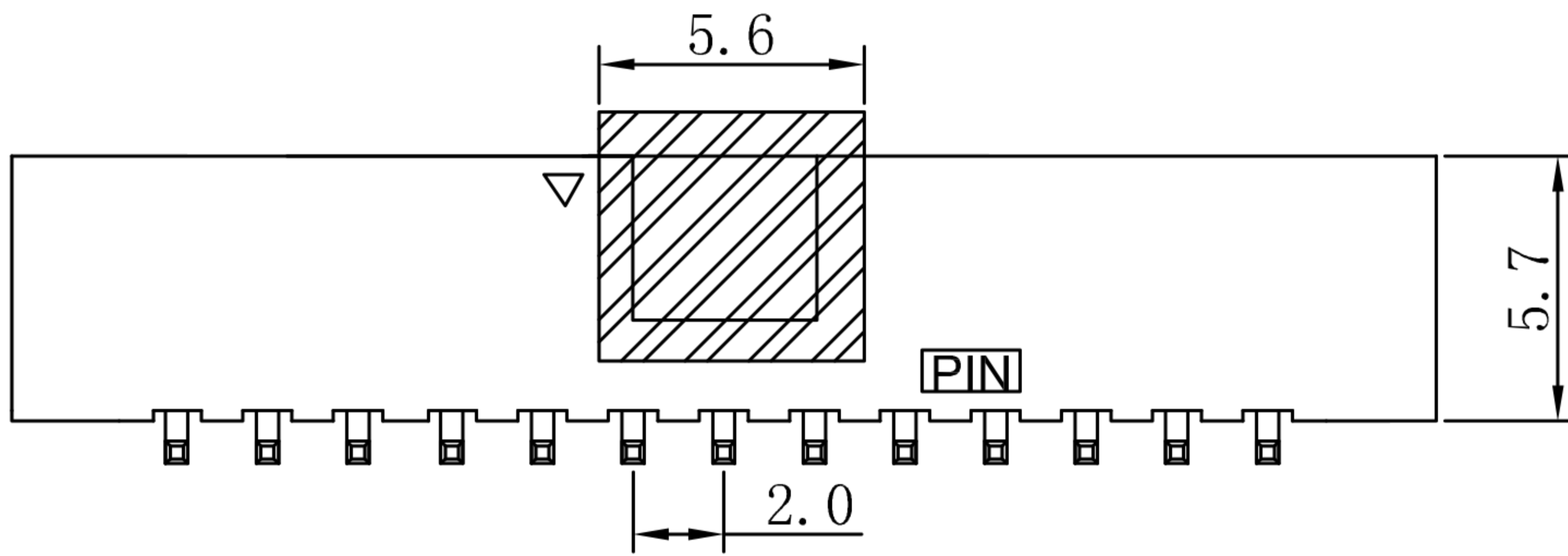


SPECIFICATIONS

Current Rating: 2Amps
 Insulator resistance: 5000 Megohms min.
 Dielectric Withstanding: AC 500V
 Operating Temperature: $-40^{\circ}C$ to $+105^{\circ}C$
 Insulator Material: NYLON-6T
 Plating: Gold flash
 UNIT: MM

UNSPECIFIED TOLERANCE: ± 0.20



PCB LAYOUT

APPROVALS		DATE	 深圳市联丰盈电子有限公司 SHENZHEN LINFENGYING ELECTRONIC CO.,LTD					
DRAWN	ZHIWEI.CHEN	2015.07.07						
CHECKED			TITLE: PH2.0mm SMT 筒牛 2*NP					
APPROVALS			PART NO. GP23-2023WVS-2xNP					
TOLERANCES ARE	30~以上	± 0.30	ANGLE UNIT: mm SCALE: 1:1 PROJ:					
	10~30	± 0.20						
	5~10	± 0.15						
	~ 5	± 0.10						
ECN NO.	REV. A	DATE.	DESCRIPTION. NEW	CHANGE.	CHECK.	APPRO.	DRAWING NO.	SHEET 1 OF 1

ECN NO.	REV. A	DATE.	DESCRIPTION. NEW	CHANGE.	CHECK.	APPRO.
---------	--------	-------	------------------	---------	--------	--------