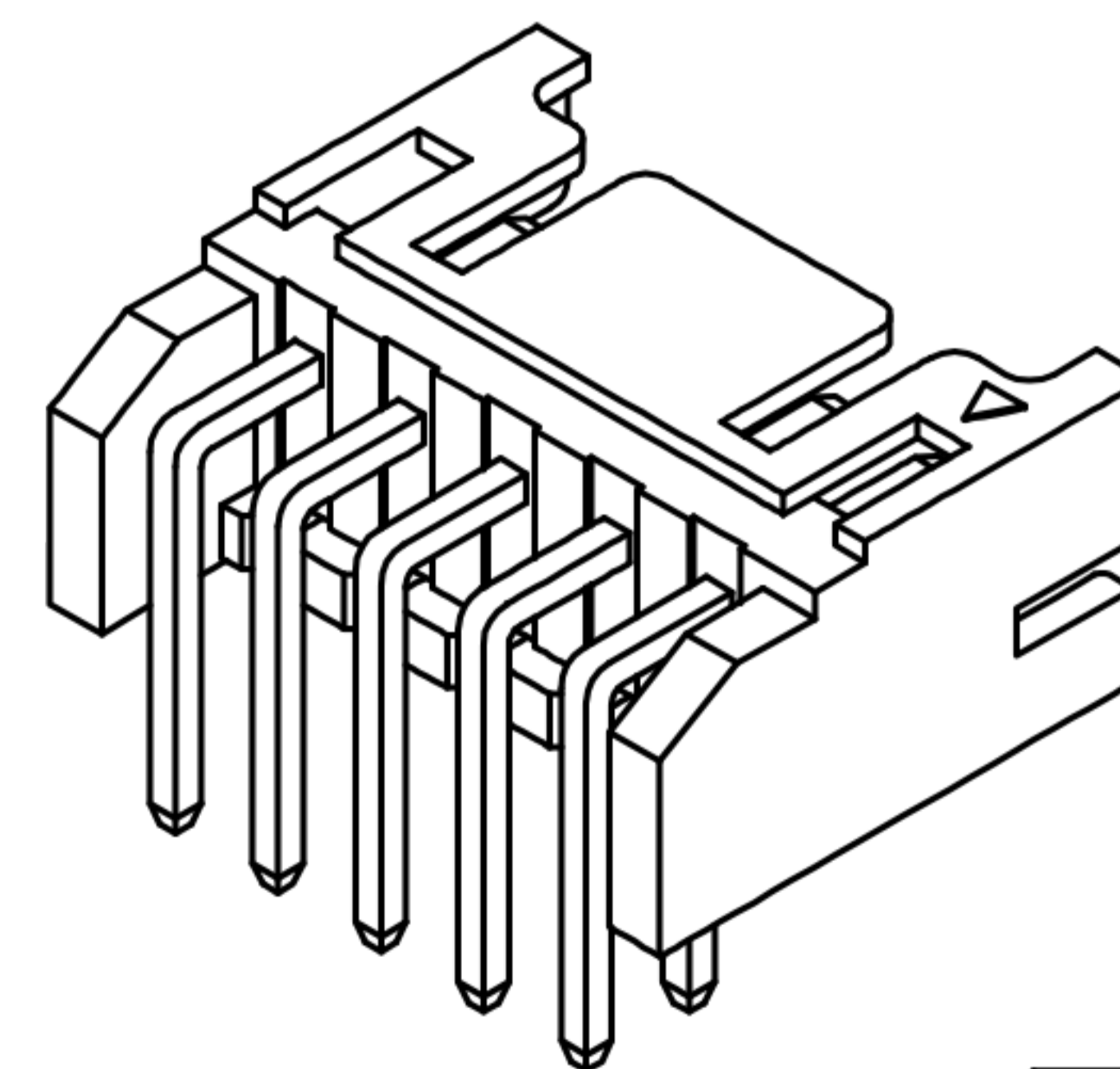
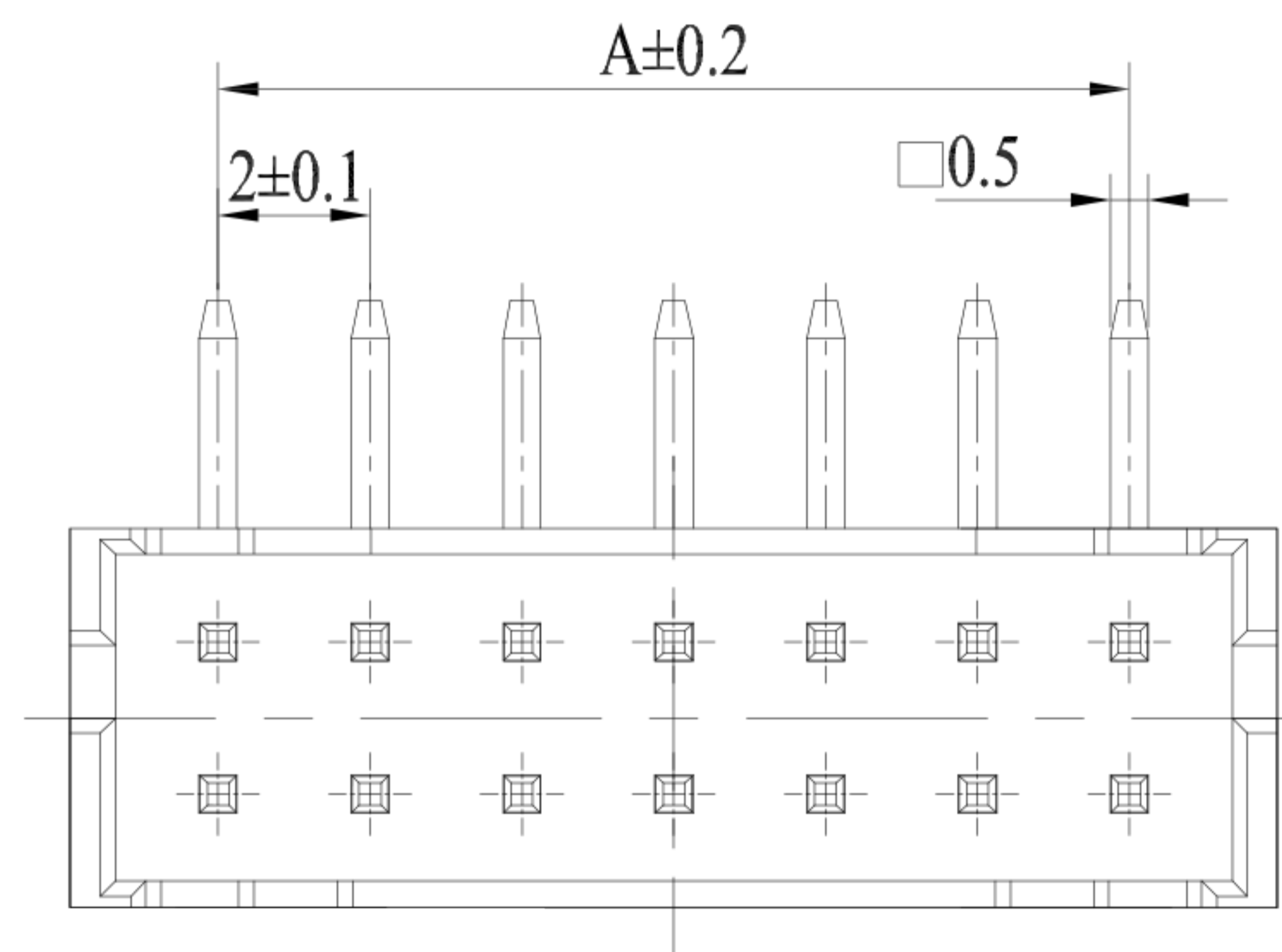
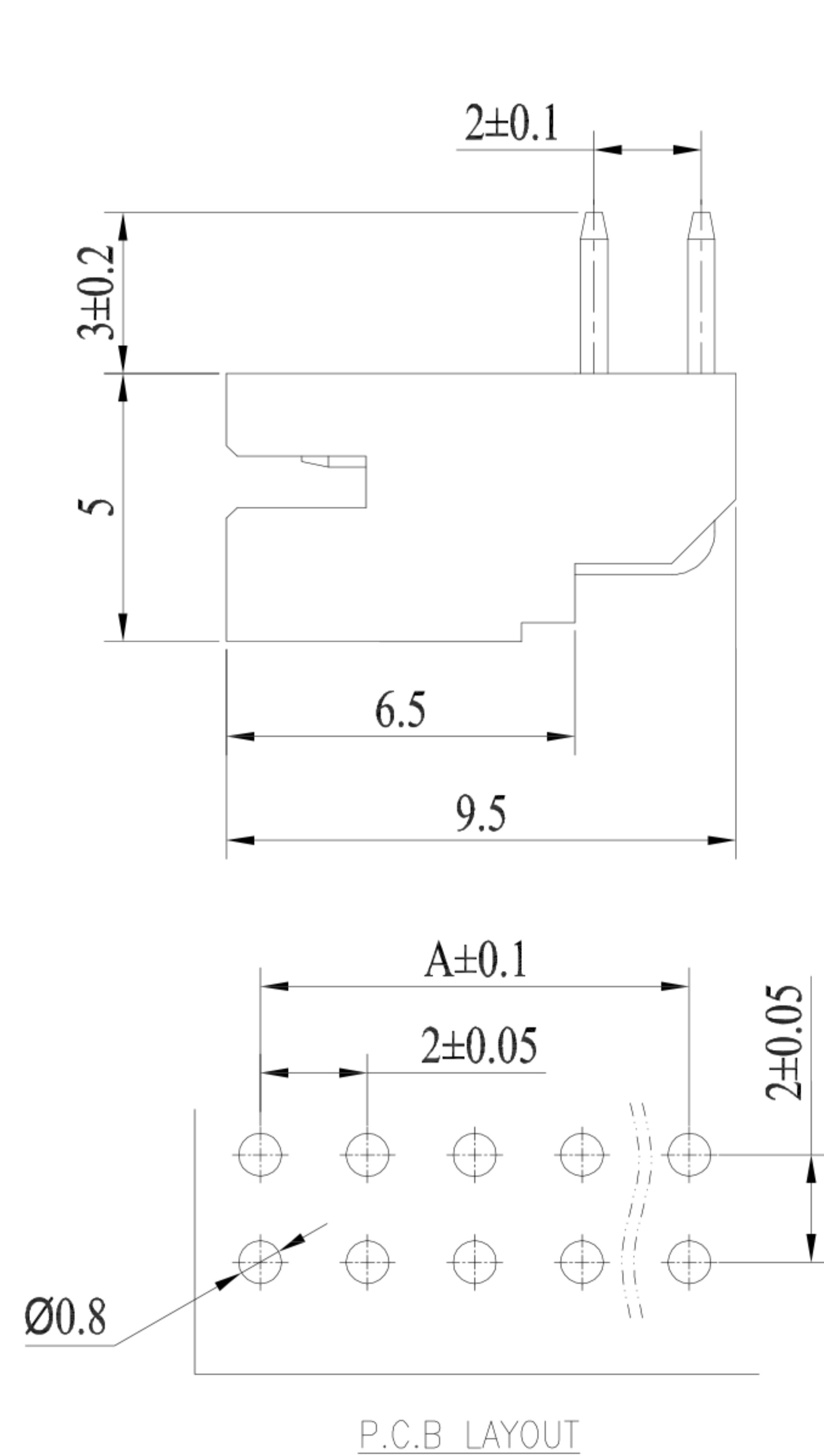


Poles	DIM.A	DIM.B
2x2P	2.0	5.9
2x3P	4.0	7.9
2x4P	6.0	9.9
2x5P	8.0	11.9
2x6P	10.0	13.9
2x7P	12.0	15.9
2x8P	14.0	17.9
2x9P	16.0	19.9
2x10P	18.0	21.9
2x11P	20.0	23.9
2x12P	22.0	25.9
2x13P	24.0	27.9
2x14P	26.0	29.9
2x15P	28.0	31.9
2x16P	30.0	33.9
2x17P	32.0	35.9
2x18P	34.0	37.9
2x19P	36.0	39.9
2x20P	38.0	41.9



■ 技术参数 (SPECIFICATIONS)

- ◆ 额定电压: 250V AC DC
Voltage rating: 250V AC DC
- ◆ 额定电流: 2.0A AC DC #24
Current rating: 2.0A AC DC #24
- ◆ 耐压值: 800V AC/minute
Withstand voltage: 800V AC/minute
- ◆ 绝缘电阻: 1000MΩ MIN
Insulation resistance: 1000MΩ MIN
- ◆ 接触电阻: 0.01Ω MAX
Contact resistance: 0.01Ω MAX
- ◆ 工作温度: -25°C ~+85°C
Working Temperature: -25°C +85°C
- ◆ 间距: 2.0 mm
Pitch: 2.0 mm

■ 材料 (MATERIAL)

- ◆ 基座: 尼龙46 UL94V-0
Wafer: PA46 UL94V-0
- ◆ 插针: 黄铜
Pin: Brass

APPROVALS		DATE	深圳市联丰盈电子有限公司 SHENZHEN LINFENYING ELECTRONIC CO.,LTD	
DRAWN	ZHIWEI.CHEN	2015.07.07	TITLE:	
CHECKED			PART NO.	GP01-2004WR-2xNP
APPROVALS			UNIT: mm	SCALE: 1:1
TOLERANCES ARE	30~以上	±0.30	ANGLE	±2°
	10~30	±0.20		
	5~10	±0.15		
	~ 5	±0.10		
ECN NO.	REV.	DATE.	DRAWING NO.	SHEET 1 OF 1

ECN NO.	REV.	DATE.	DESCRIPTION.	CHANGE.	CHECK.	APPRO.
—	A	—	NEW	—	—	—