

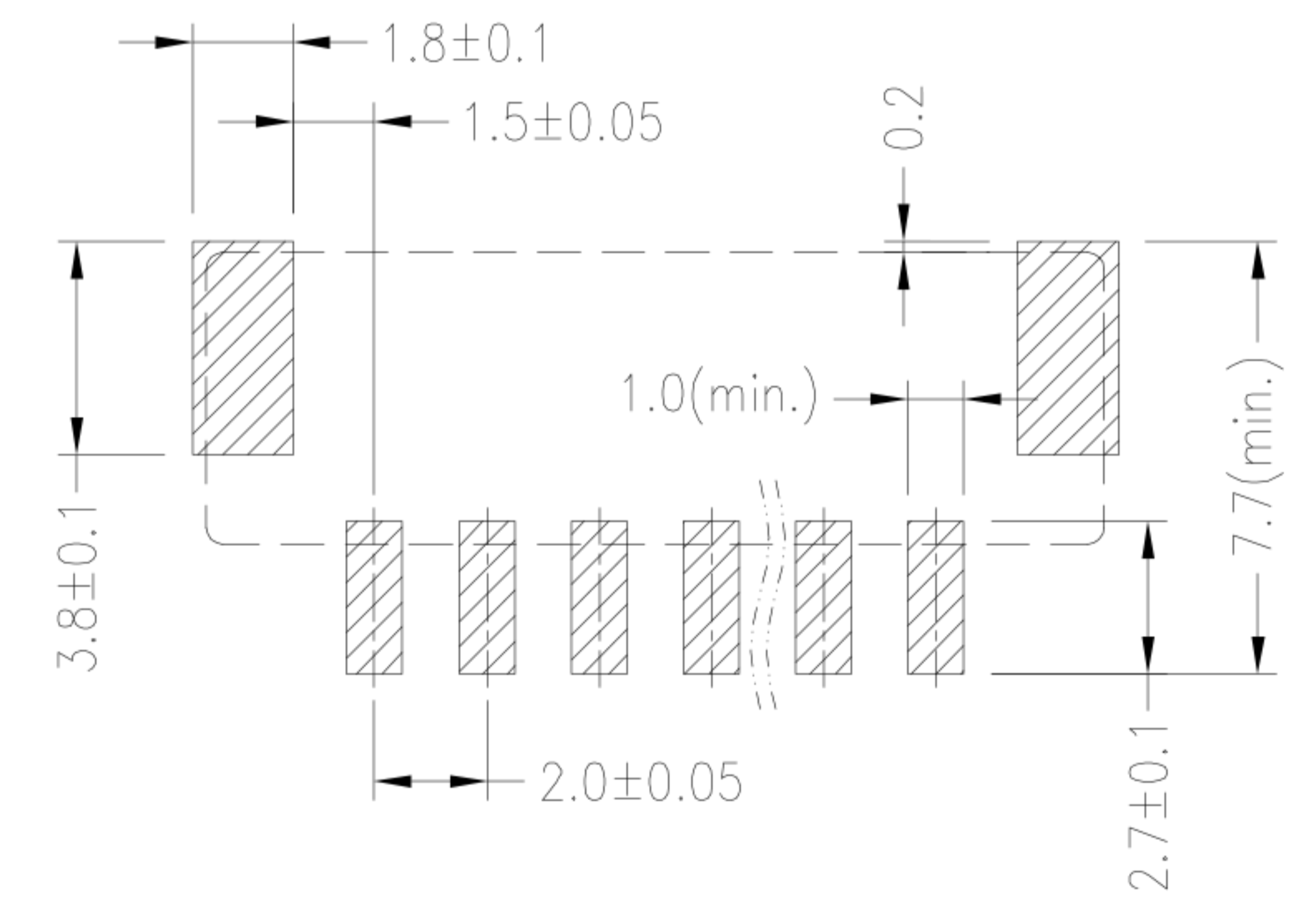
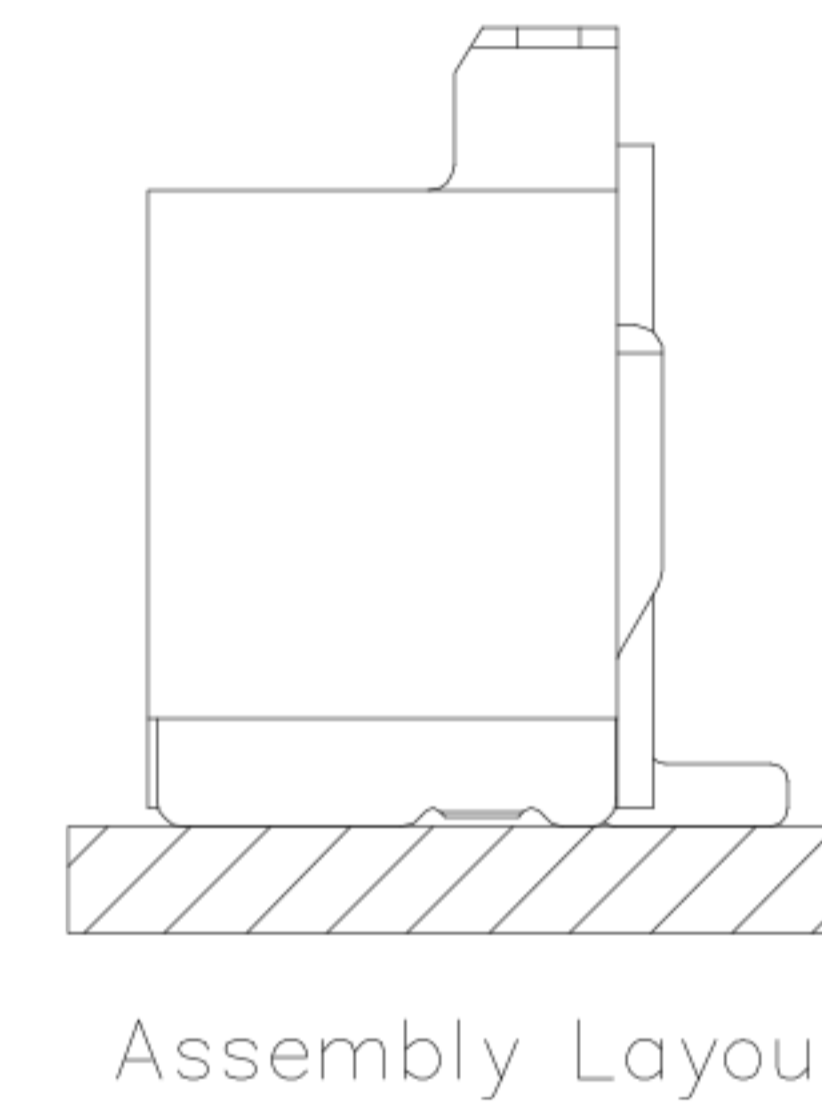
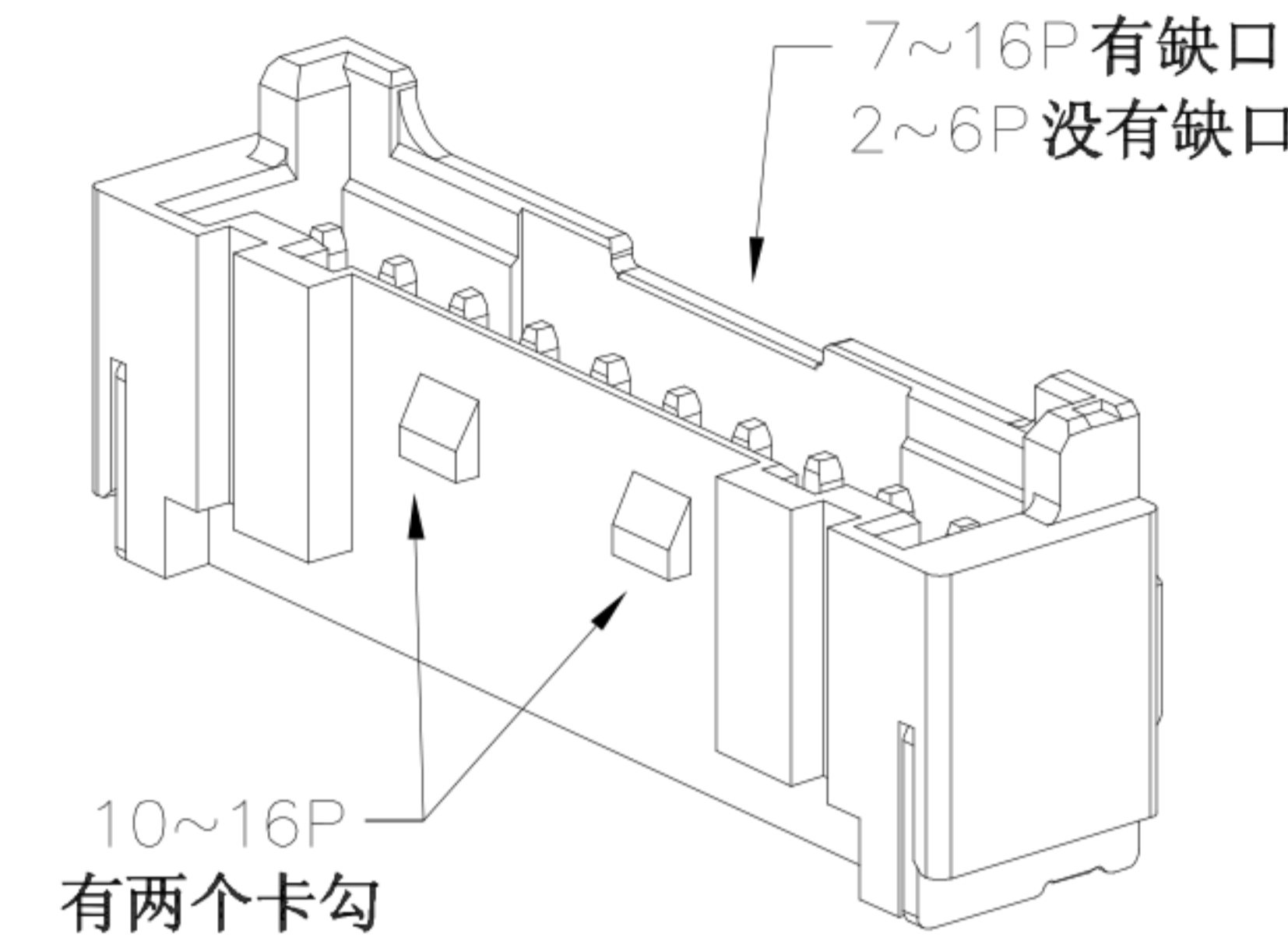
■ 技术参数 SPECIFICATIONS

- ◆ 适用线规: AWG#28~#22
Applicable Wire: AWG#28~#22
- ◆ 额定电压: 250V DC/AC(rms)
Rated voltage: 250V DC/AC(rms)
- ◆ 额定电流: 3A (AWG #22)
Rated Current: 3A (AWG #22)
- ◆ 耐压值: 800V AC/minute
Withstand voltage: 800V AC/min.
- ◆ 工作温度: -25°C ~ +85°C
Working Temp : -25°C ~ +85°C
- ◆ 绝缘电阻: $\geq 1000 \text{ M}\Omega$
Insulation resistance: $\geq 1000 \text{ M}\Omega$
- ◆ 接触电阻: $\leq 10 \text{ m}\Omega$
Contact resistance: $\leq 10 \text{ m}\Omega$

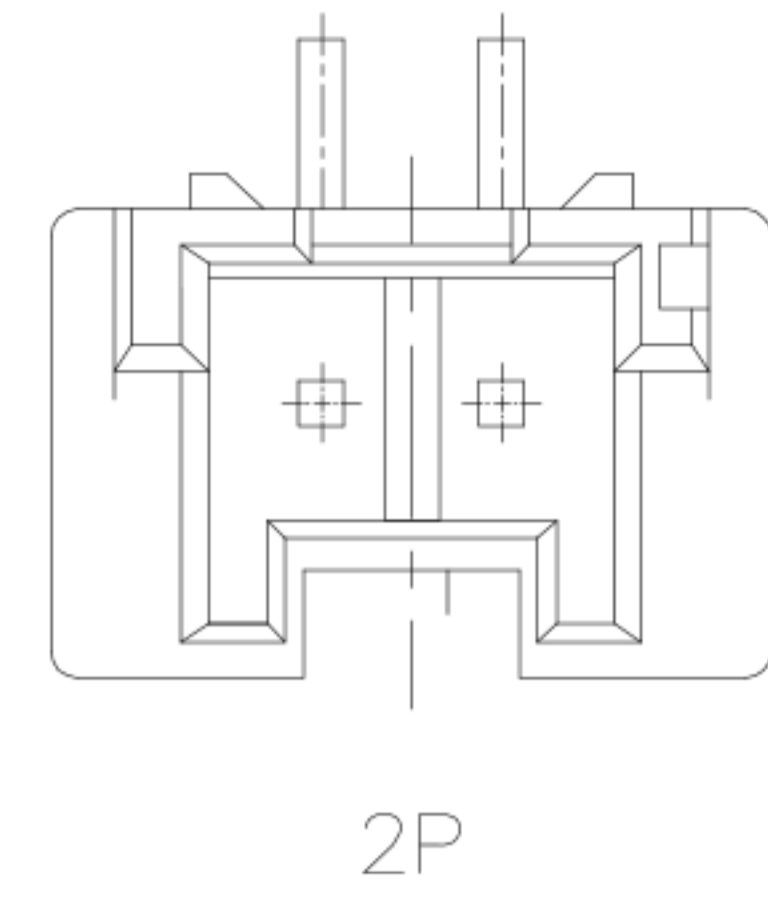
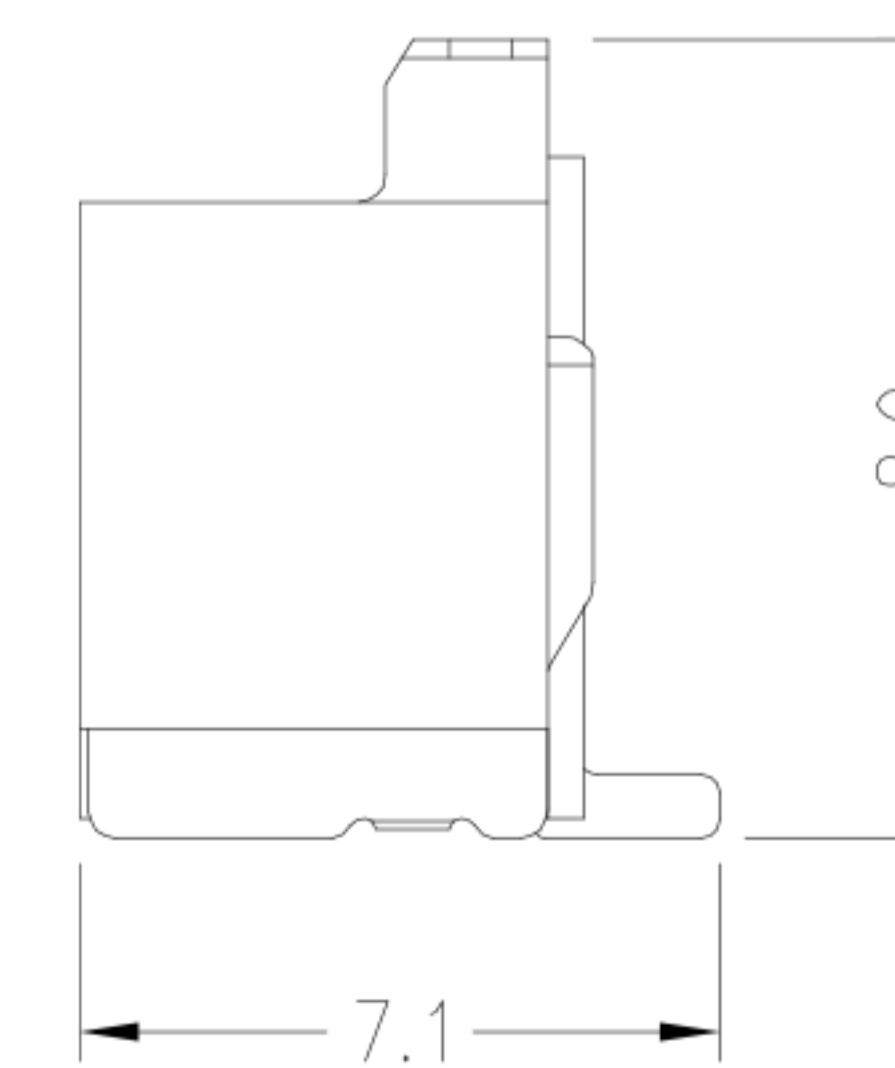
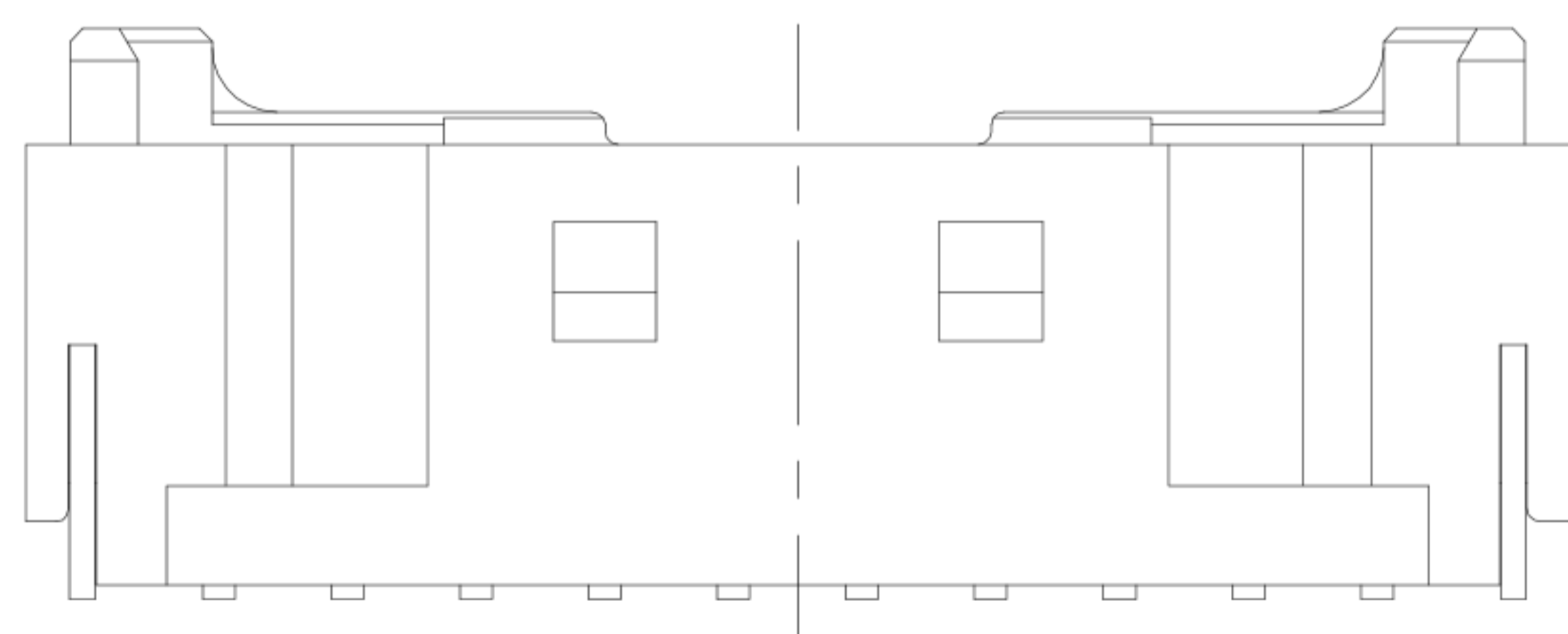
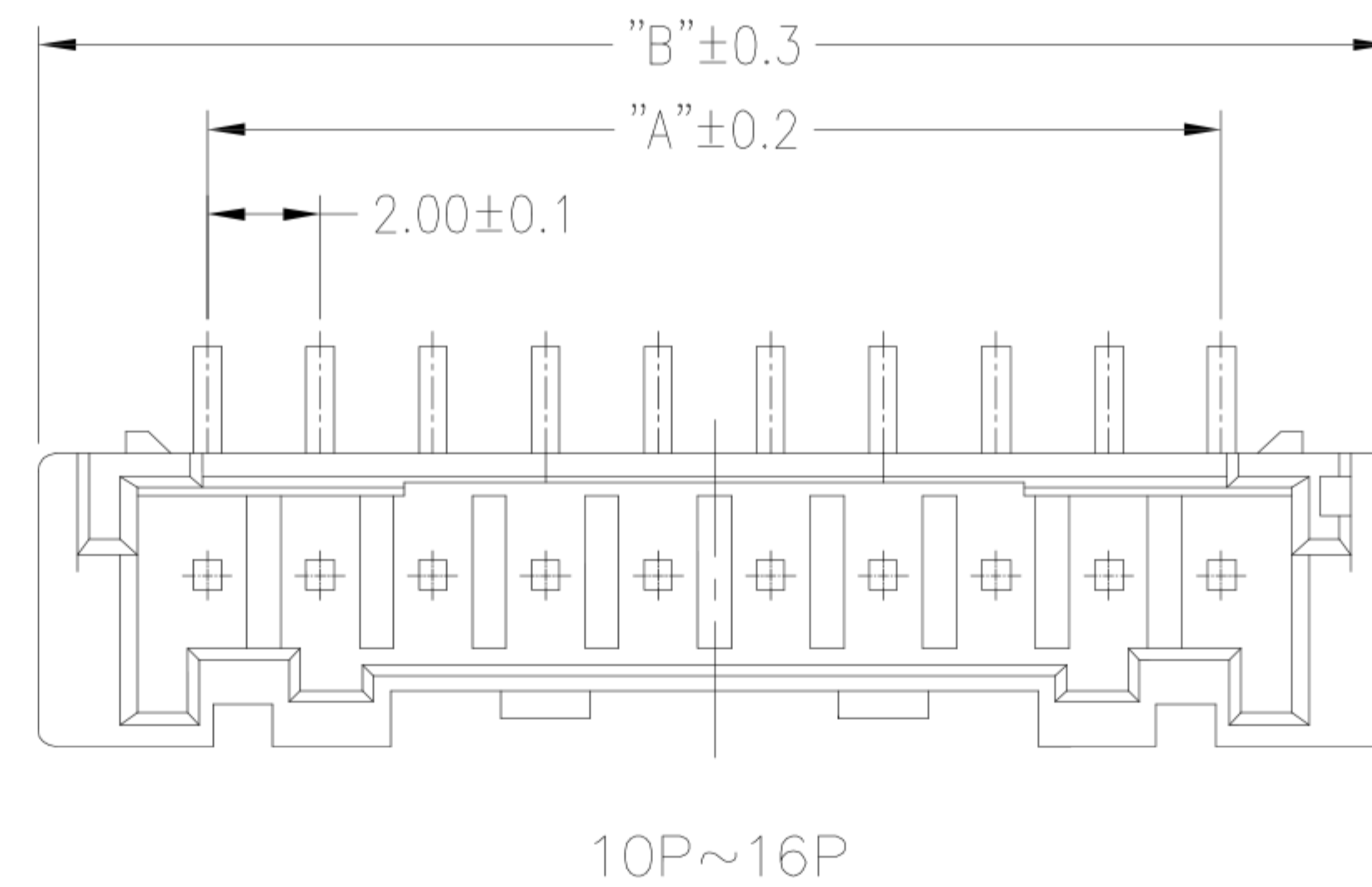
■ 材料 MATERIAL

- ◆ 绝缘体: 尼龙9T, UL94-V0
Insulator: PA9T, UL94-V0
- ◆ 接触针: 黄铜
Contact PIN: Brass
- ◆ 焊片: 黄铜
Solder tab: Brass

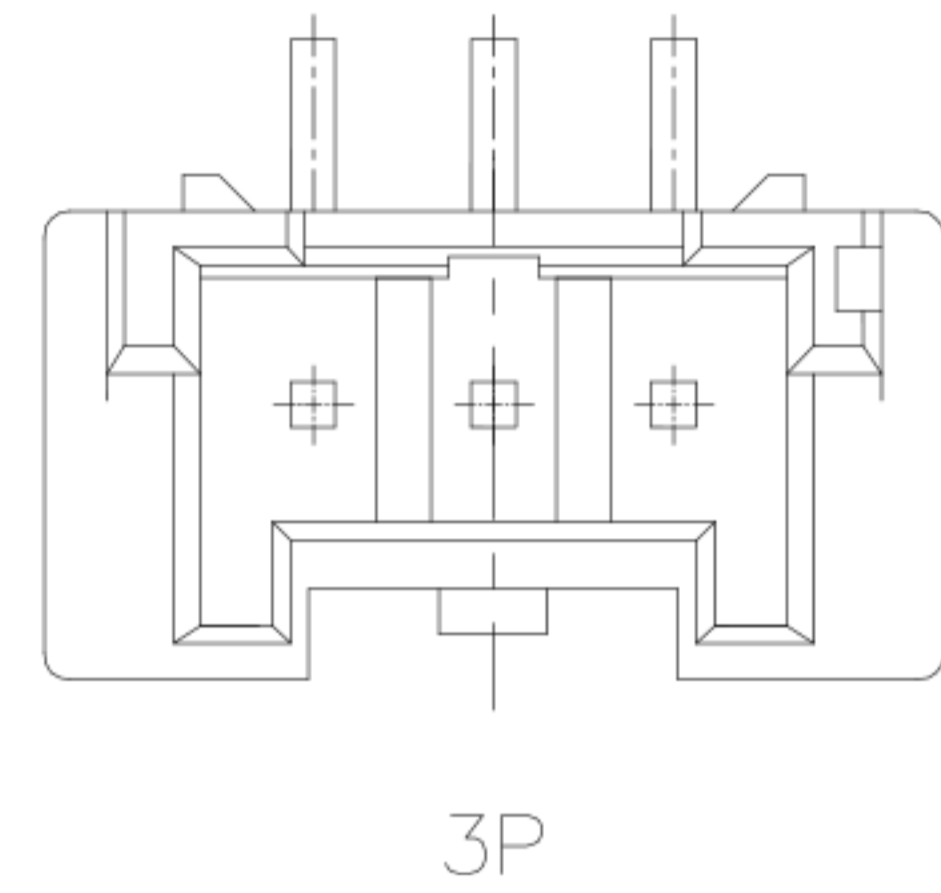
Poles	DIM.A	DIM.B	Poles	DIM.A	DIM.B
2P	2.0	8.0	10P	18.0	24.0
3P	4.0	10.0	11P	20.0	26.0
4P	6.0	12.0	12P	22.0	28.0
5P	8.0	14.0	13P	24.0	30.0
6P	10.0	16.0	14P	26.0	32.0
7P	12.0	18.0	15P	28.0	34.0
8P	14.0	20.0	16P	30.0	36.0
9P	16.0	22.0	-	-	-



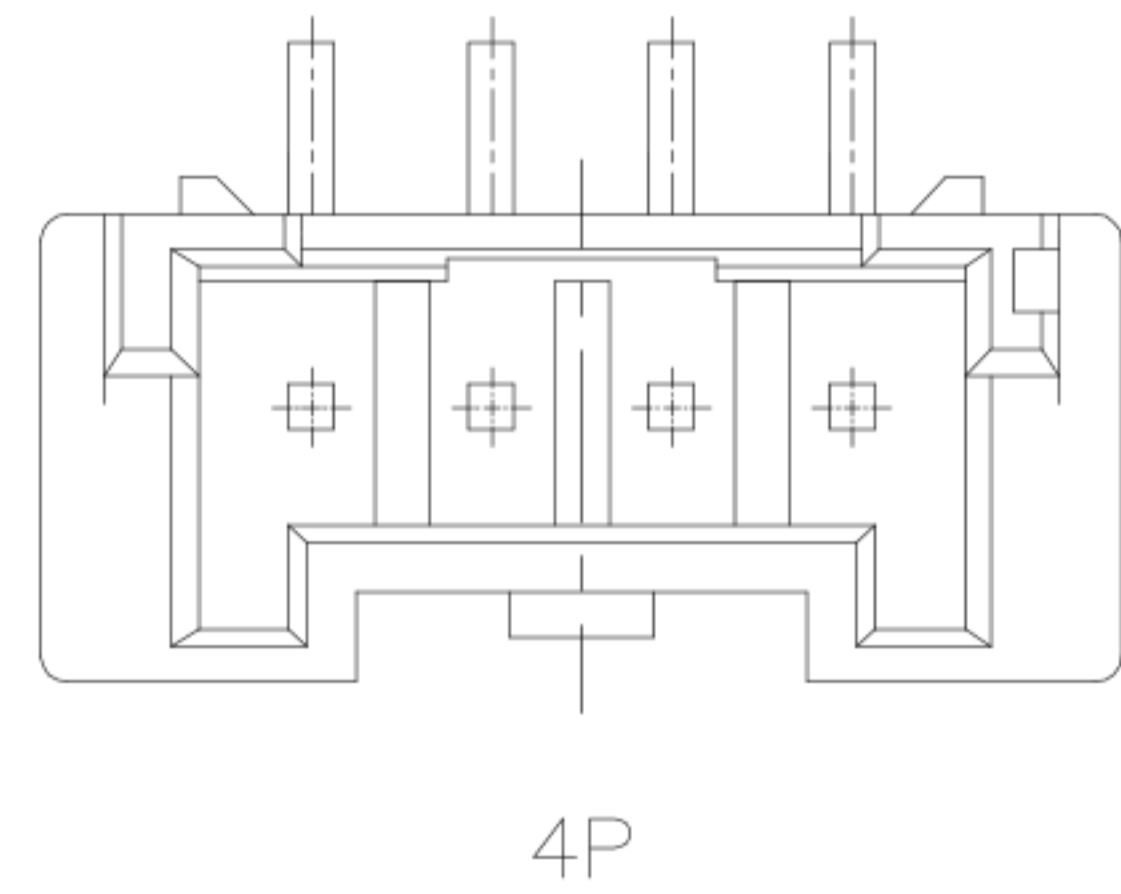
P.C.B LAYOUT



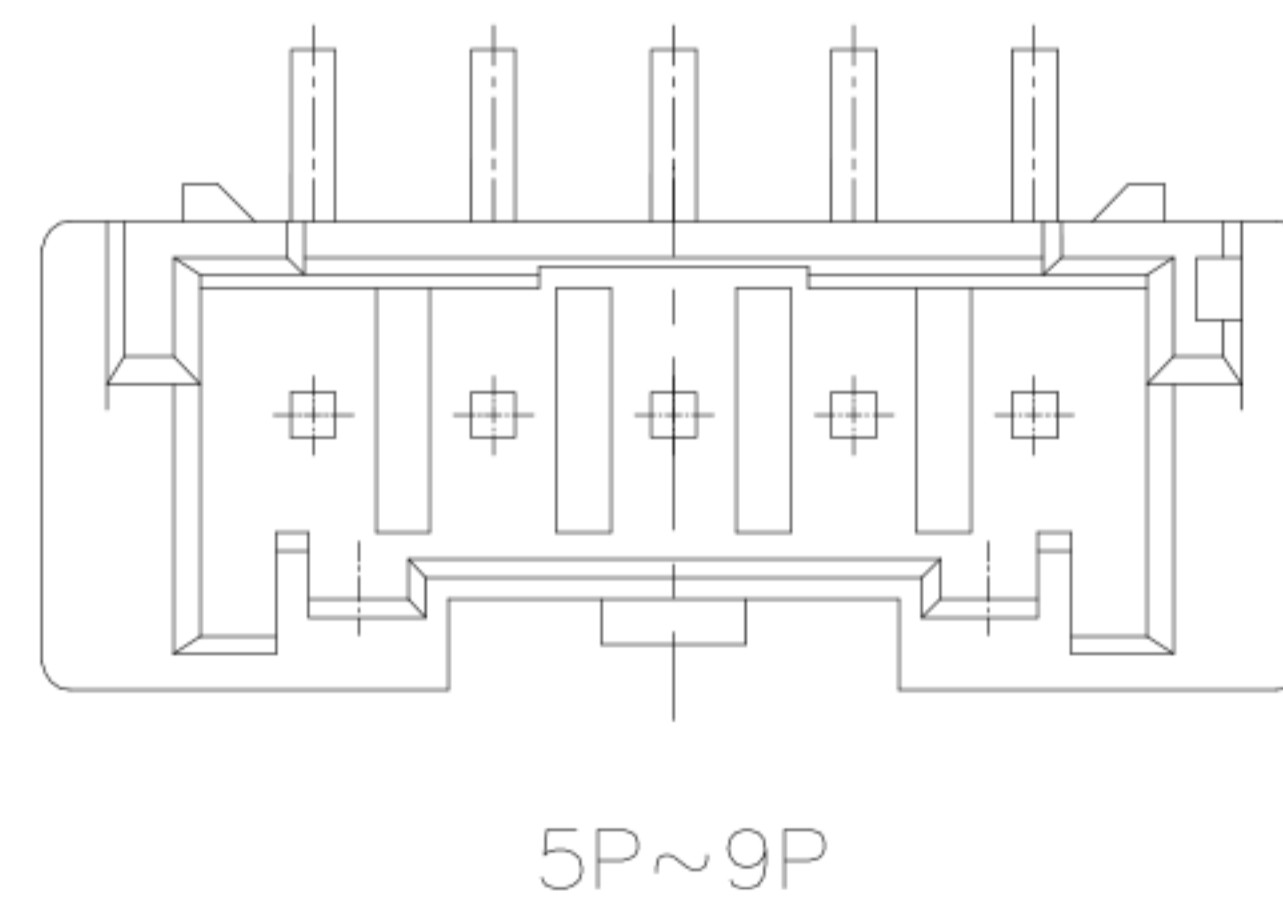
2P



3P



4P



5P~9P

APPROVALS		DATE	 深圳市联丰盈电子有限公司 SHENZHEN LINFENGYING ELECTRONIC CO.,LTD			
DRAWN	ZHIWEI.CHEN	2015.07.07				
CHECKED			TITLE:			
APPROVALS			PART NO.	GP01-2000WVS-NP		
TOLERANCES ARE	30~以上	±0.30	ANGLE	UNIT: mm	SCALE: 1:1	PROJ:
	10~30	±0.20				
	5~10	±0.15		DRAWING NO.		SHEET 1 OF 1
	~ 5	±0.10				

ECN NO.	REV.	DATE.	DESCRIPTION.	CHANGE.	CHECK.	APPRO.
	A		NEW			