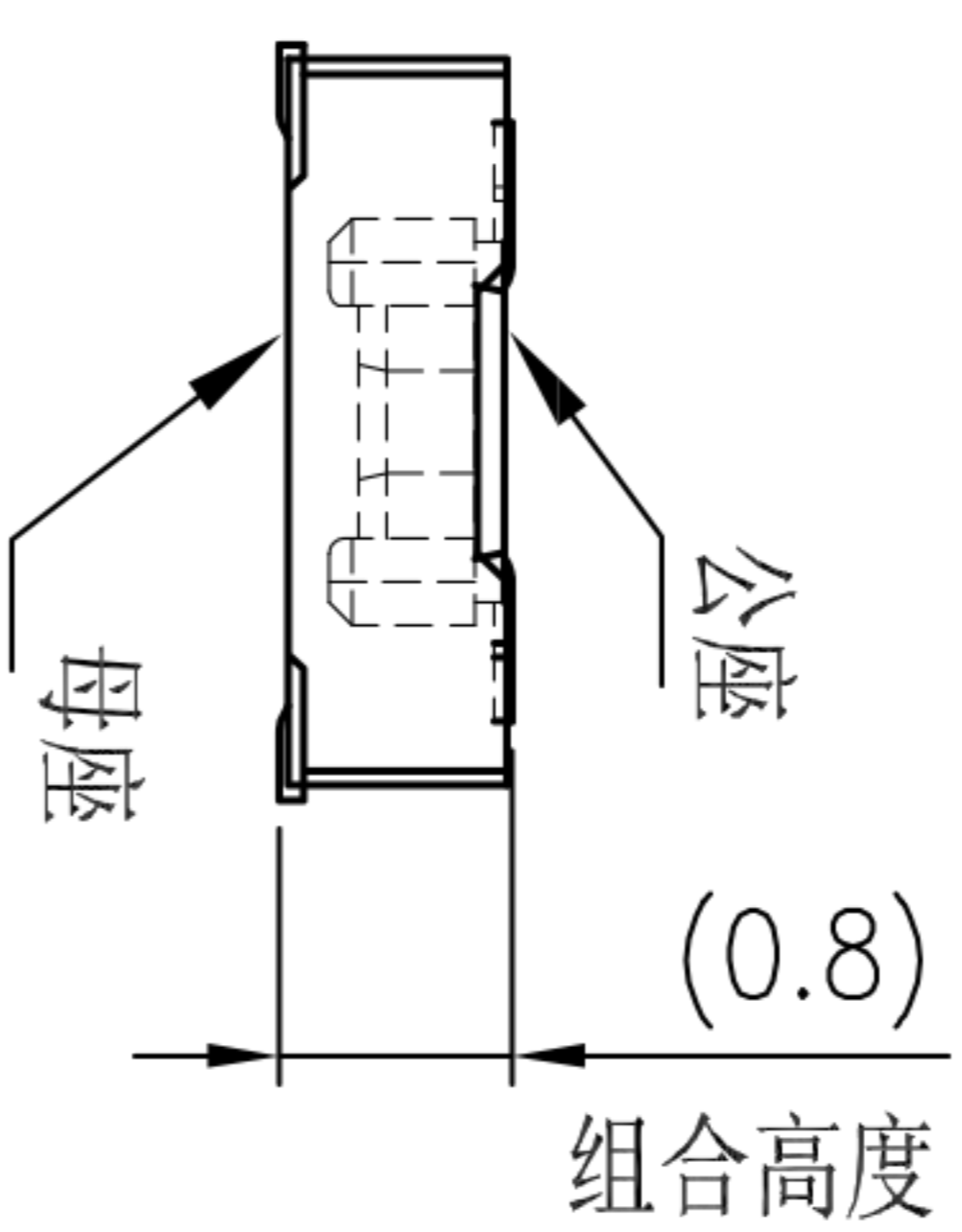
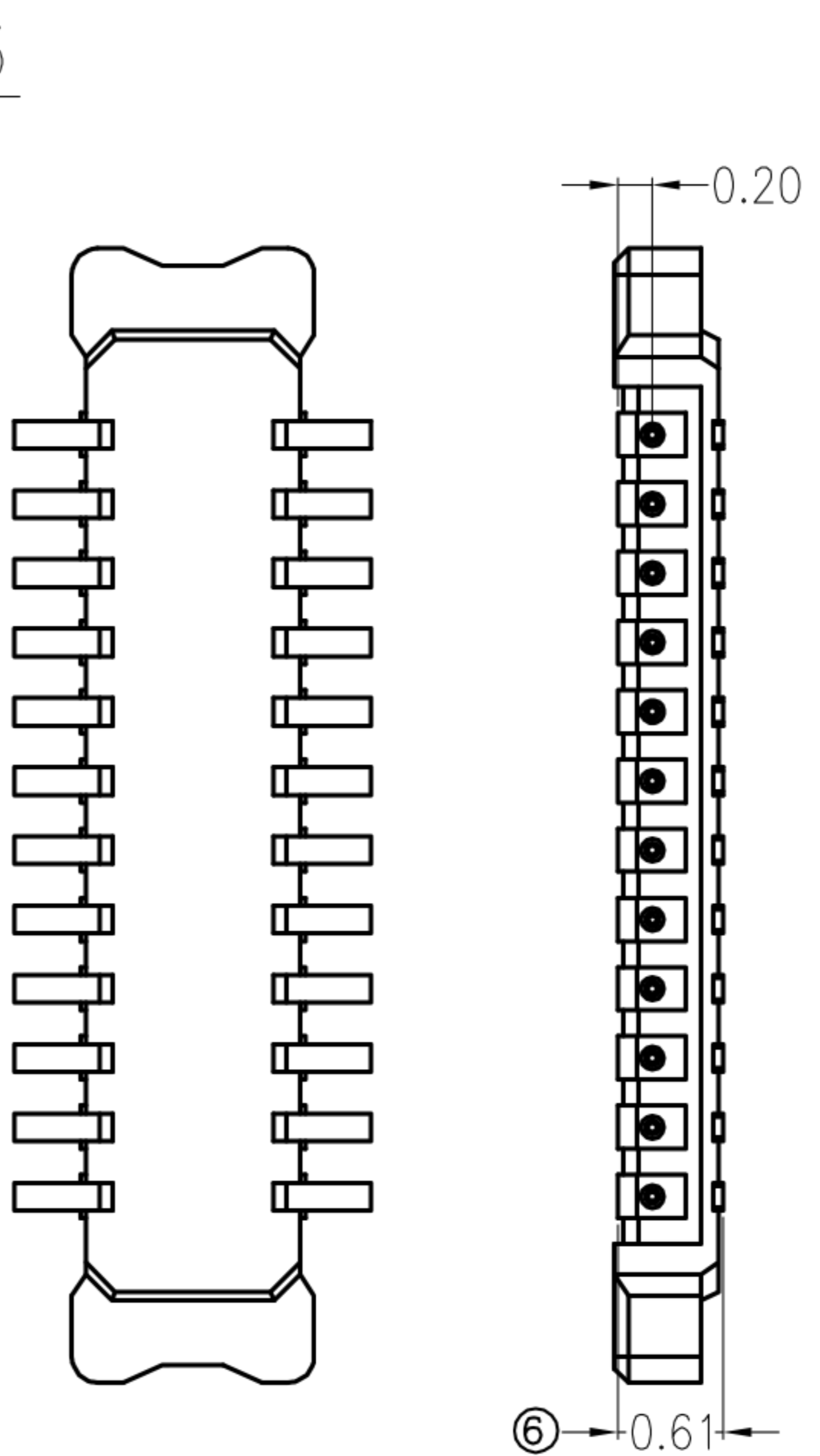
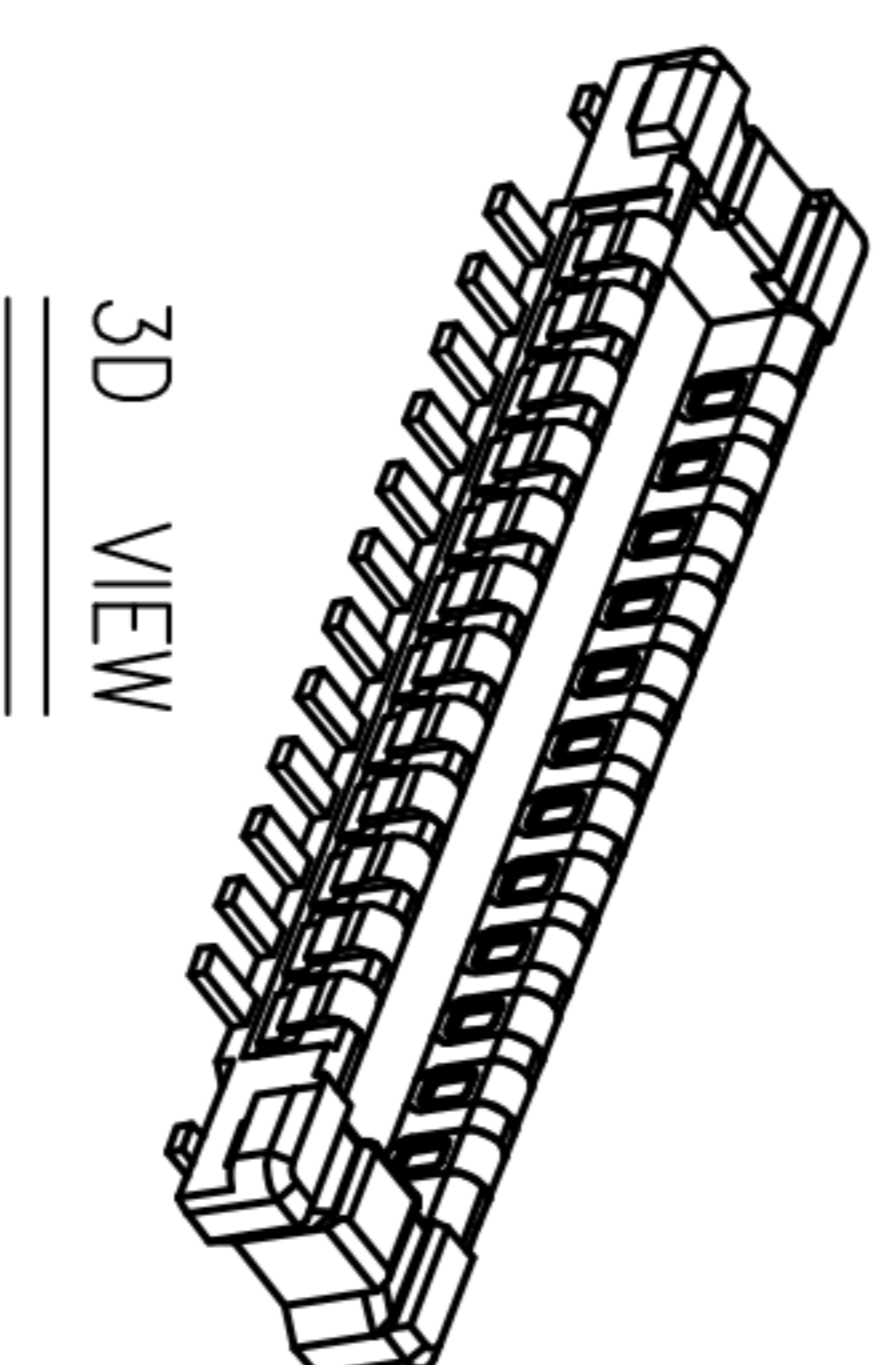


NOTES:  
 HOUSING: HIGH TEMPERATURE HOUSING UL94V-0  
 WITHSTANDS IR AND VPR SOLDERING METHODS.  
 CONTACTS: PHOSPHOR BRONZE.  
 PLATING: GOLD PLATED.  
 ELECTRICAL CHARACTERISTICS:  
 CURRENT RATING:0.3 AMP.  
 INSULATOR RESISTANCE:1000MΩ MIN. AT DC 250V.  
 CONTACT RESISTANCE:90MΩ MAX. AT DC 100MA.  
 OPERATING TEMPERATURE:-55°C ~+85°C .



NO.of contacts	Dimensions		
	A.	B.	C.
10	3.75	2.50	3.55
24	6.55	5.30	6.35
30	7.75	6.50	7.55
40	9.75	8.50	9.55



RECOMMENDED P.C. BOARD LAYOUT  
 Tolerance:±0.05

ECN NO.	REV.	DATE.	DESCRIPTION.	CHANGE.	CHECK.	APPRO.
	A		NEW			

APPROVALS		DATE	TITLE:	
DRAWN	ZHIWEI.CHEN	2015.07.07	0.4mm BTB HO.8MM	
CHECKED			PART NO. GP02-7XX-GXXP-B0R	
APPROVALS			SCALE: 1:1	
TOLERANCES ARE			DRAWING NO.	
30~以上	±0.30	ANGLE	PROJ.	
10~30	±0.20		SHEET 1 OF 1	
5~10	±0.15			
~ 5	±0.10			

深圳市联丰电子有限公司  
 SHENZHEN LIANFENG ELECTRONIC CO.,LTD